

Melody 1" mFloats, mFloats-Rap Cloud, & mFloats-Canvas

TC Plates with T-Grid for 1" Clouds

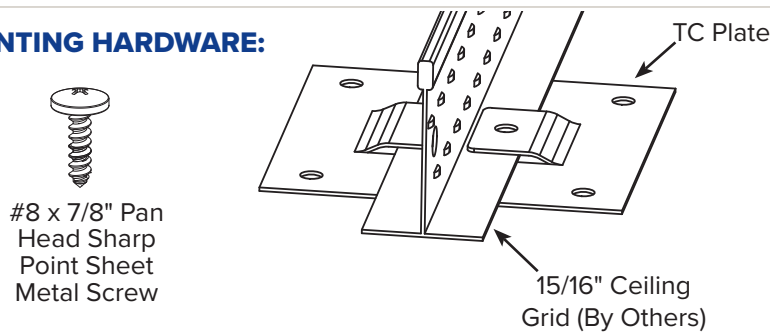
APPLICATION:

For ceiling mounting 1" Melody mFloat Clouds with TC Plates and T-Grid, 15/16" grid only (grid by others). The following is supplied by G&S for this mounting: TC Plate and #8 X 7/8" Pan Head Sharp Point Sheet Metal Screws.

TOOLS NEEDED:

Phillips Screwdriver, Drill

MOUNTING HARDWARE:



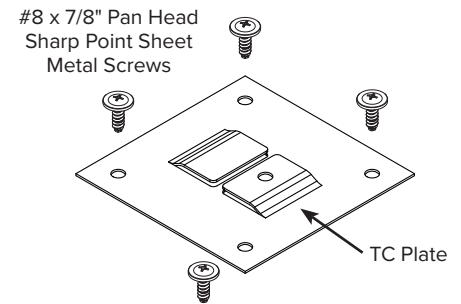
INSTALLATION INSTRUCTIONS:

1. Lay the mFloat panel face down on a flat, clean surface.
Note: Back side of each mFloat panel should be clearly labeled. Follow the directional label on the back of the panel for installation orientation. All panels should be installed with the same orientation.
2. Cut T-Grid to length and insert appropriate amount of TC-Plates per the layout on page 2.
3. Position T-Grid with TC Plates on back of mFloat Panel per layout on page 2 and install using #8 x 7/8" pan head sharp point sheet metal screws, four screws per TC Plate. Tighten each screw until snug. **Do not overtighten.** Repeat for all. See Mounting Detail 1.
4. Once TC Plates are secured to the back of the panel, secure each TC-Plate to the T-Grid with one #8 x 7/8" pan head sharp point sheet metal screw through the grid and into each TC Plate. See Mounting Details 2.

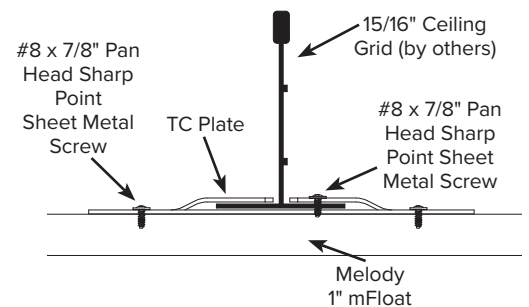
When all TC Plates and ceiling grid are installed, the mFloat Cloud is ready to hang. Use appropriate fasteners and hardware to install the clouds from the structure. Remove all stickers before hanging.

Note: Due to inconsistencies in the Melody core thickness, we recommend a 1/4" reveal between adjoining panels.

MOUNTING DETAIL 1

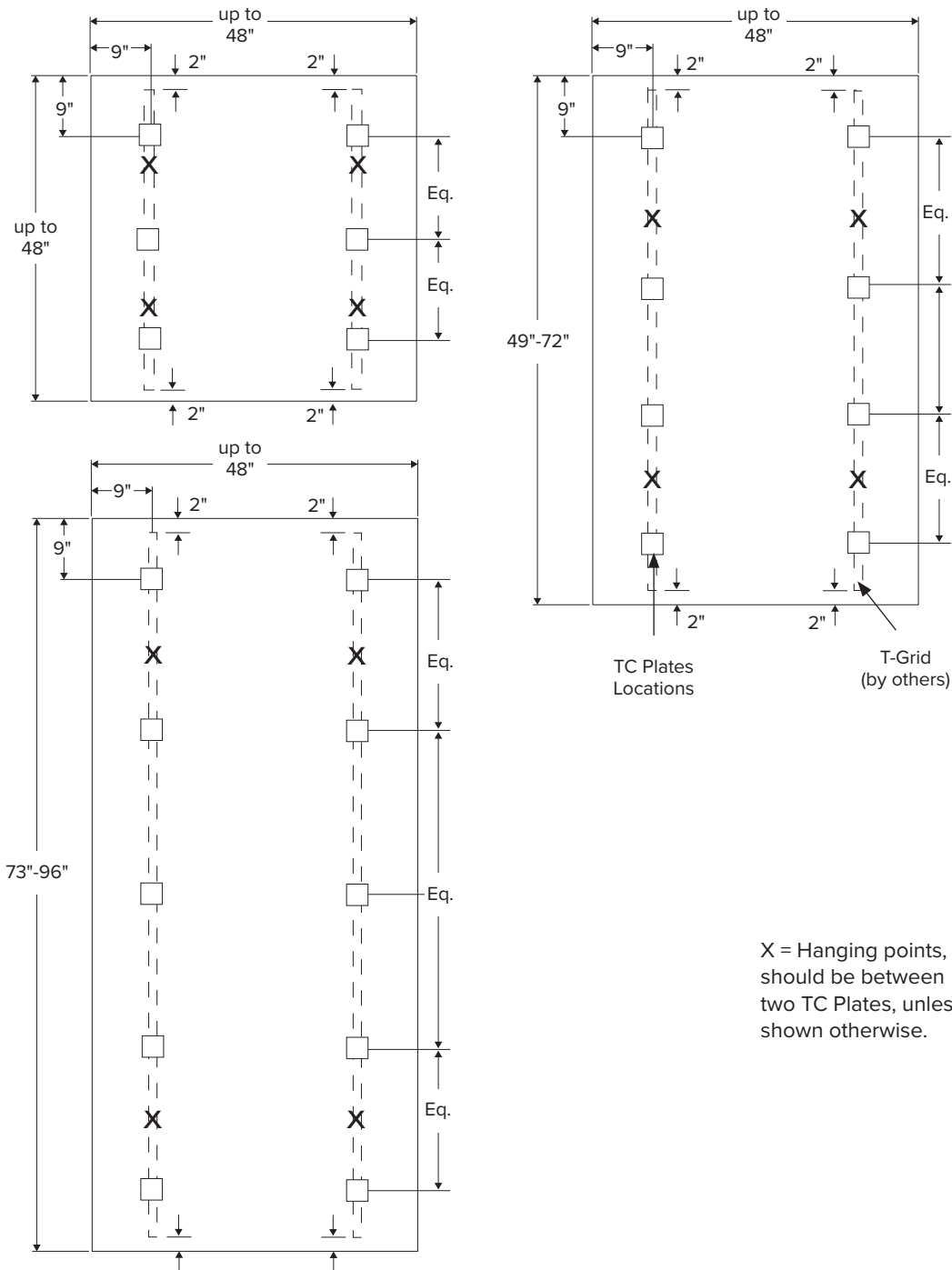


MOUNTING DETAIL 2



Melody 1" mFloats, mFloats-Rap Cloud, & mFloats-Canvas

TC Plates with T-Grid



Melody