

aCapella SCORESGAMI - Wall Panels

AM-Clip with Adhesive - Wall Installation

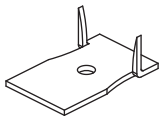
APPLICATION:

For wall mounting aCapella ScoresGami with adhesive and AM-Clips on painted drywall.

TOOLS NEEDED:

Heavy Bodied Water-Based Adhesive, Utility Knife, Straight Edge, Drill. **Two (2) people recommended to install panels**

MOUNTING HARDWARE:



AM-Clip

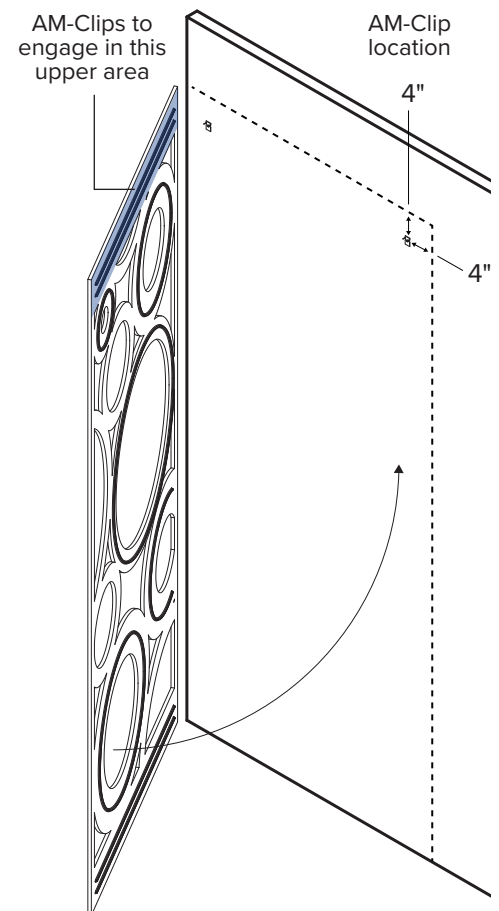
(Fasteners to attach AM-Clip to wall by others)

INSTALLATION INSTRUCTIONS:

1. Determine ScoresGami panel placement on wall. Install two (2) AM-Clips for each ScoresGami with fasteners (by others) to the wall. AM Clips should be spaced 4" down from the top of the panel and 4" in from the edge. AM-Clips are designed to hold panel in place while the adhesive dries. **Caution: AM-Clip points are sharp.** See **Figure 1**.
2. Lay the ScoresGami panel cardboard side down on a flat, clean surface. **Caution: ScoresGami panels can easily bend in half if not handled properly, we recommend using two people to install the panel.** **Note: Follow the directional label on the back of the panel for installation orientation. All panels should be installed with the same orientation.**

MOUNTING DETAILS

Figure 1



aCapella SCORESGAMI - Wall Panels

AM-Clip with Adhesive - Wall Installation

3. Using a caulk gun and a tube of heavy bodied, water based adhesive, apply adhesive to the back of each ScoresGami panel as follows: apply beads of adhesive across the top and bottom 6-1/2" borders, plus a single bead centered on any area wider that 1-1/2". See **Figure 2**.
4. Being careful not to touch the adhesive, with two (2) people, lift the ScoresGami panel in place and remove the cardboard. Apply panel to the wall, pressing firmly on the front face of the panel to engage the adhesive and AM-Clips.
5. To ensure the ScoresGami panels are evenly secured, apply pressure with hands moving them from center to outer edge of each wall panel.
6. Use a straight edge and utility knife to cut ScoresGami panels to fit around odd angles, lights and other penetrations.

Note: Due to inconsistencies in the aCapella core thickness, some shimming may be required to align the panels edges.

HANDLING AND STORAGE

aCapella panels must be stored indoors in a dry, climate controlled environment at all times. Exposure to moisture, excessive heat or humidity can cause panels to warp and/or stain.

Panels should be stored in a flat, fully supported, horizontal position and NOT on edge. It is recommended that 2 people carry each panel. Panel should be carried on edge, being careful not to bend panel at any time. Clean white gloves are also recommended when handling aCapella panels.

MOUNTING DETAILS

Figure 2

