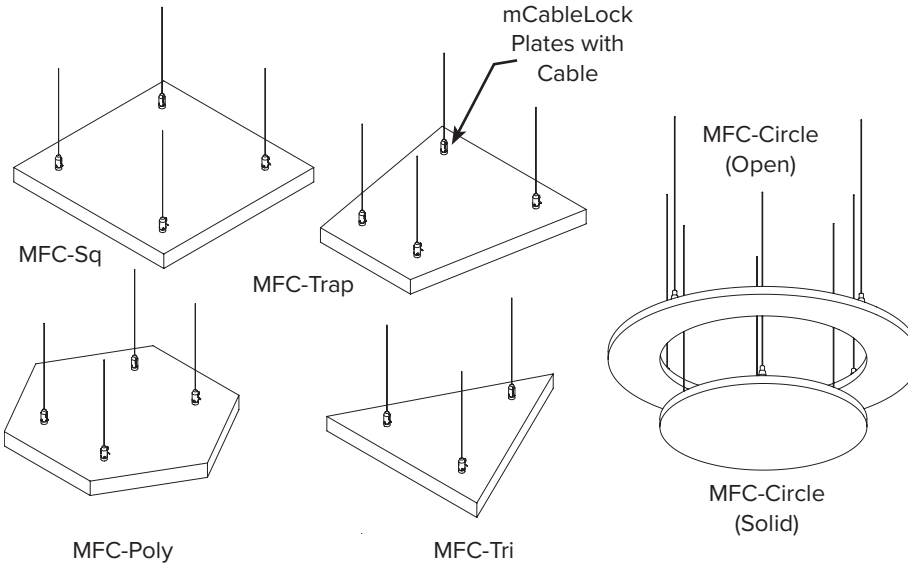


Melody mFloats are **recycled polyester, custom shaped, sound-absorbing ceiling clouds**. Each mFloat can hang from the ceiling at any angle, depending on the desired design and acoustical effect. mFloats are available in 5 colors and come in square, circular, triangle, rectangular, polygon and trapezoid shapes. Custom shapes are available.

### MOUNTING - STANDARD SHAPES



### SOUND ABSORPTION - IN SABINS

Hz	125	250	500	1000	2000	4000	N.R.C.
MFC-1	12.54	15.68	24.24	31.91	36.83	40.34	1.15
MFC-2	13.57	20.56	33.97	40.55	44.11	46.27	1.45

Note: NRC test results based on J-mounted 36" x 96" Melody mFloat Cloud.



### CORE

1" & 2" Recycled Polyester

### SIZES

Custom sizes and shapes up to 4' x 8'

### MOUNTING

mCableLock Plates with Cable

### FINISH\*

White, Silver\*, Pewter\*, Khaki\* and Black\* Polyester

### EDGES\*\*

Square

\*\*Due to inconsistencies in the Melody core thickness, we recommend a 1/4" reveal between adjoining panels.

### CLEANING

Bleach-Cleanable (10:1)

Water-Based/Solvent (WS)

Mold & Fungal Resistant (ASTM C1338)

### SUSTAINABILITY

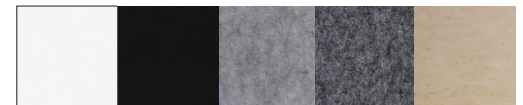
Declare, HPD, Indoor Advantage™ Gold

### FLAMMABILITY

All components have a Class "A" rating per ASTM E84

\*Also available in fabric wrapped (mFloat-Rap) and painted (mFloat-Canvas)

### COLORS



White 1" & 2"    Black 1" Only    Silver 1" Only    Pewter 1" Only    Khaki 1" Only

\*Natural color variation may occur between panels due to the recycled content of the product, with Silver and Pewter being most susceptible to these variations.