

CEILING MOUNTING: Clouds TCI-HS with T-Grid for 1"-2" Clouds

APPLICATION:

For ceiling mounting 1"-2" fiberglass acoustical Clouds with TCI-HS and T-Grid (15/16", by others). The following is supplied by G&S for this mounting: TCI-HS brackets and #8 x 3/4" truss head self-drilling screws for each clip.

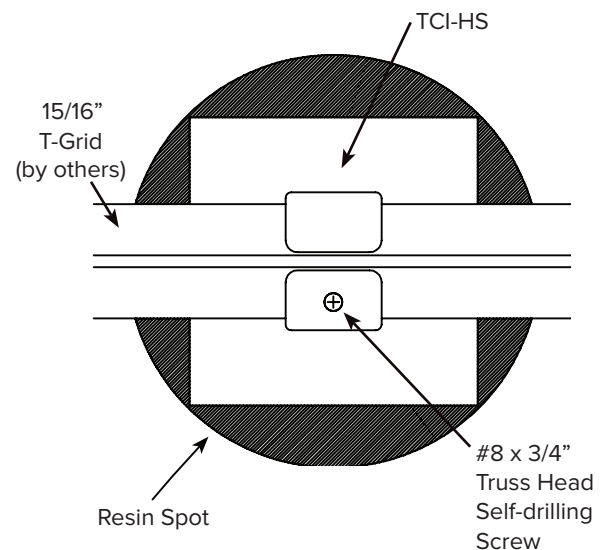
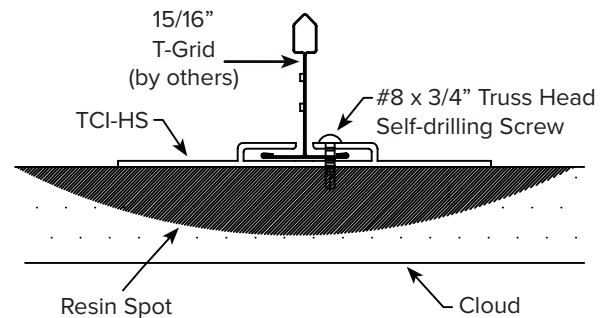
DESCRIPTION:

This installation uses TCI-HS brackets, factory installed with resin spots and T-Grid (supplied by others). Installation is as follows:

1. Determine the orientation of the TCI-HS locations on the back of each Cloud.
2. Cut T-Grid to length and insert appropriate amount of TC-Plates per the layout on page 2.
3. Slide the T-Grid through all the TCI-HS locations in that row. Make sure a single piece of T-Grid is used. See the attached standard location sheet.
4. Install #8 x 3/4" truss head self-drilling screws through TCI-HS into T-Grid to prevent the Cloud from sliding, as shown on the details.
5. Secure T-Grid to appropriate structure with wire or cable (supplied by others). Use at least four hanging points.

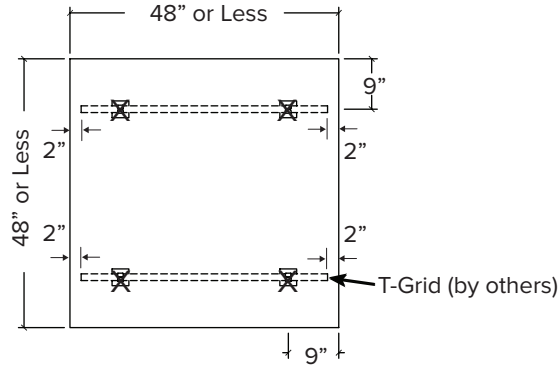
Do not install panels until wet work, such as concrete and plastering, is complete; the building is enclosed; and the temperature and relative humidity are stabilized at 60 – 80 degrees F (16 – 27 degrees C) and 40% to 50% respectively, by the building HVAC system. Use of **propane heaters** in area with acoustic panels **can cause chemical reactions** with the resin spots causing them to become visible through the face of the panel. **Do not use propane heaters** in areas where these panels are installed.

Mounting Details

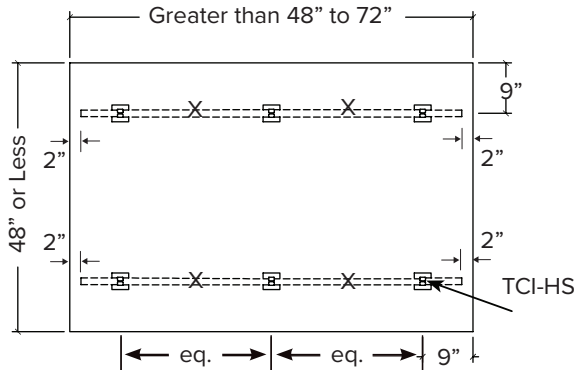


Standard Locations for Ceiling Mounting: Clouds - 1"-2" TCI-HS and T-Grid

Note: Over 4' in both dimensions add 3rd row of spots at center of each panel.



Note: These are standard locations. If your installation requires custom fastener locations, please note this on the shop drawings.



X = Hanging points, should be between two TCI-HS clips, unless shown otherwise.

