

# CEILING MOUNTING: Clouds D-Ring for 3"-4" Clouds

## APPLICATION:

For ceiling mounting 3"-4" fiberglass acoustical Clouds with fastening plate and D-Ring.

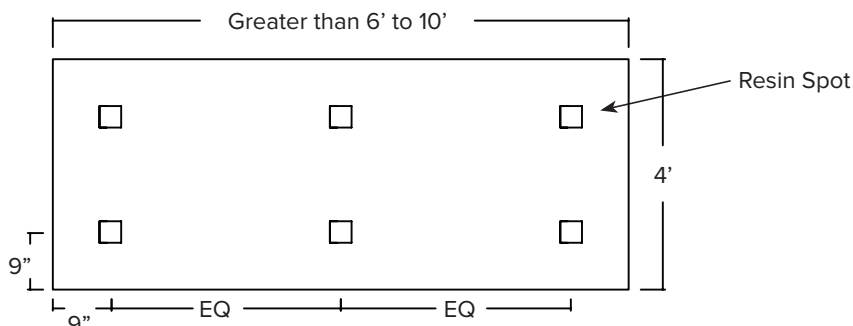
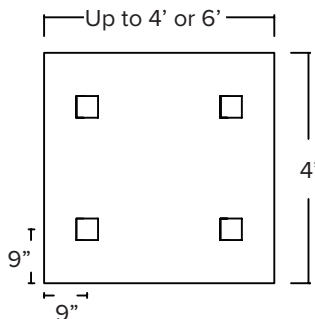
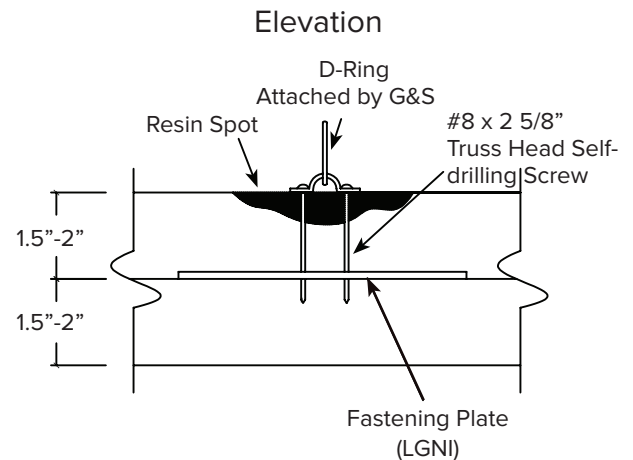
## DESCRIPTION:

This installation technique uses a D-Ring, factory installed with resin spots and mechanical fasteners to an imbedded fastening plate (LGNI), to hang single units individually. Installation is as follows:

1. Using 1/8" aircraft cable or other suitable hanging material, secure one end to D-Ring (hanging cable or other material by others).
2. Hang Clouds from each attachment point. Secure other end to appropriate structure above (structure by others).
3. Mounting locations can vary according to custom sizes.

Do not install panels until wet work, such as concrete and plastering, is complete; the building is enclosed; and the temperature and relative humidity are stabilized at 60 – 80 degrees F (16 – 27 degrees C) and 40% to 50% respectively, by the building HVAC system. Use of **propane heaters** in area with acoustic panels **can cause chemical reactions** with the resin spots causing them to become visible through the face of the panel. **Do not use propane heaters** in areas where these panels are installed.

## Mounting Detail



Note: Less than 3'-6" in either direction will require a custom layout.