

# CEILING MOUNTING: Continuous Hanger Bar (CHB) with CHB, 1"-2" Panels, with SGNi Plate

## APPLICATION:

Mounting 1"-2" thick fiberglass acoustical panels to ceilings.

## DESCRIPTION:

This installation technique uses a metal plate (SGNi) with a continuous hanger bar (CHB48S) screwed to the SGNi plate by others and a continuous hanger bar (CHB48S) screwed to the ceiling (by others). Engagement requires 3/4" of space for hanger bar engagement. Installation is as follows:

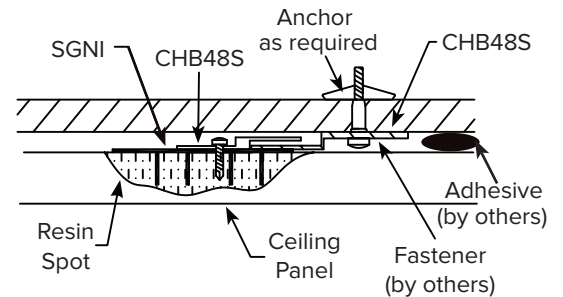
1. Use the #8 x 3/4" truss head self-drilling screws (by G&S) to attach the CHB48S to the SGNi plates by using the #8 self drilling screws. These screws will penetrate the CHB and the SGNi plate without predrilling. Simply set the screw in place as shown on Detail 1 and push firmly with the drill.
2. Locate installation points of the CHB48S on the ceiling by measuring the locations of the CHB48S on the back of the panel. Install CHB48S to the ceiling with appropriate fasteners (by others). Allow 3/4" engagement.
3. Use any heavy-bodied, water-based adhesive, placed in "egg-sized" dabs 24" on center on the back of the panel to make sure the panel does not slide off the clip. Do not apply adhesive to the continuous hanger bars. Adhesive is supplied by others.
4. Lift the panel in place and slide the clips together. All hanger bars must be fully engaged.
5. There are two Safety Clips for each panel. Install both clips, each 6" from the edge of the panel to hold the panel on the continuous hanger bars. They should be installed tight to the end of the panel. Mounting screws by others. See "Side View" Detail and Drawings 1 and 2.
6. There are two Corner Clips supplied for every ceiling panel. See Detail 2. If the ceiling panels are mounted individually install the Corner Clips at opposite corners tightly to each corner of the panel. See Drawing 1. If the panels are installed as a group, put a Corner Clip tightly to each outside corner of the group. See Drawing 2. Use appropriate anchors and screws (by others) to fasten the Corner Clips.

Do not install panels until wet work, such as concrete and plastering, is complete; the building is enclosed; and the temperature and relative humidity are stabilized at 60 – 80 degrees F (16 – 27 degrees C) and 40% to 50% respectively, by the building HVAC system. Use of **propane heaters** in area with acoustic panels **can cause chemical reactions** with the resin spots causing them to become visible through the face of the panel. **Do not use propane heaters** in areas where these panels are installed.

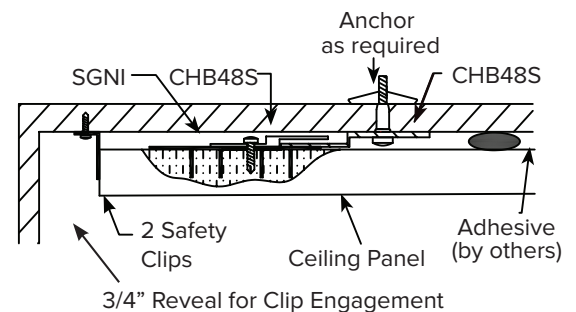
Note: Due to variations in fiberglass thickness, some shimming may be required to align the panel edges.

## Mounting Detail

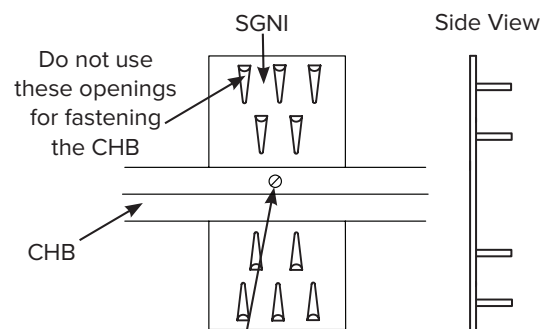
### Elevation



### Side View

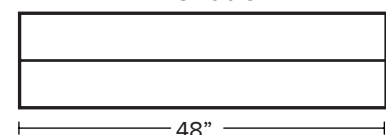


### Detail 1



#8 x 3/4" Truss Head Self-drilling Screw (by G&S) - must be fastened through solid section of the SGNi

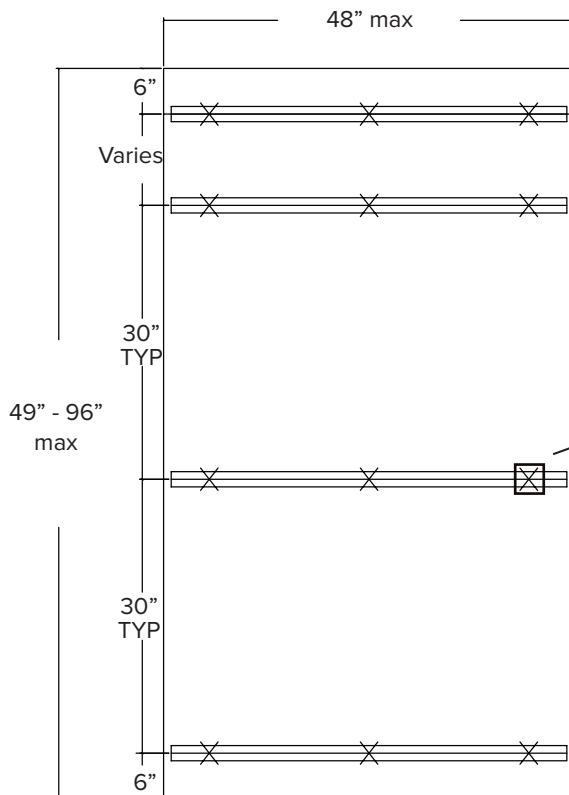
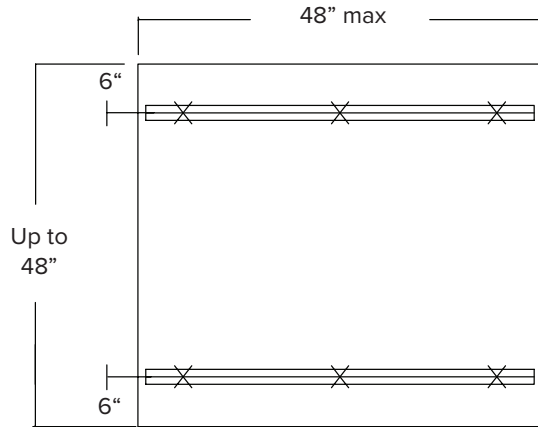
### CHB48S Elevation



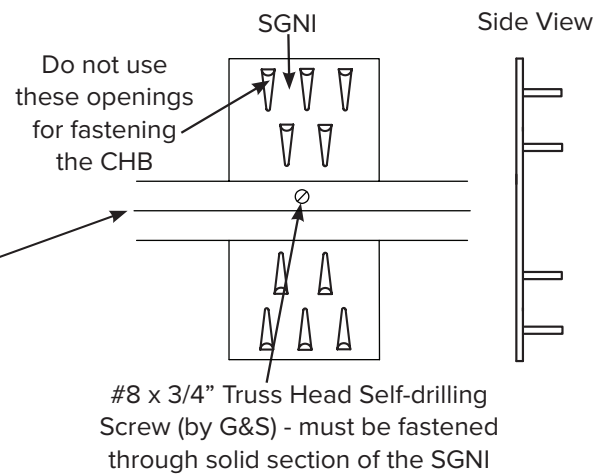
### Side View



# CEILING MOUNTING: Continuous Hanger Bar (CHB) with CHB, 1"-2" Panels, with SGNi Plate



## Detail 1



# CEILING MOUNTING: Continuous Hanger Bar (CHB) with CHB, 1"-2" Panels, with SGNi Plate

