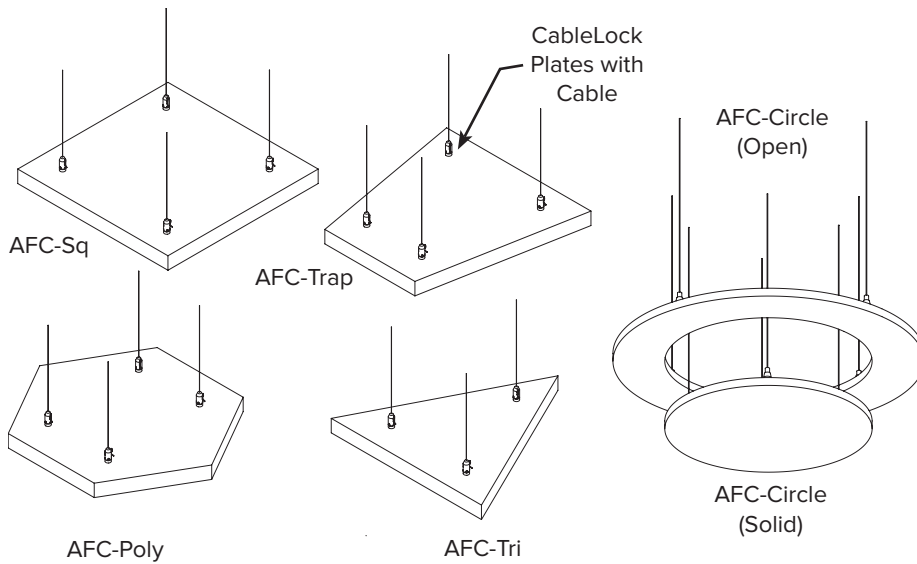


aCapella Floats are flat, custom shaped, **sound-absorbing ceiling clouds**. Each Float can hang from the ceiling at any angle, depending on the desired design and acoustical effect. Floats are supplied in 17 colors and come in square, circular, triangular, rectangular, polygon and trapezoid shapes. Custom shapes are available. All shapes are available in solid or open panels. See aCapella Verticals for more details.

MOUNTING - STANDARD SHAPES



SOUND ABSORPTION - IN SABINS

Hz	125	250	500	1000	2000	4000	N.R.C.
AFC-.5	20.09	21.47	33.32	40.70	51.02	55.83	1.00
AFC-1	18.62	25.23	40.06	55.91	64.51	67.84	1.25

Note: NRC test results based on J-mounting with 48" x 108" Float Cloud.



CORE

1/2" & 1" Recycled Polyester

SIZES

Custom sizes and shapes up to 4' x 8'

MOUNTING

CableLock Plates with Cable up to 4' x 6'
TC-Plate and Ceiling Grid over 4' x 8'
(grid by others)

FINISH

Standard colors or optional Woodwinds finish

EDGES*

Square

*Due to inconsistencies in the aCapella core thickness, we recommend a 1/4" reveal between adjoining panels.

CLEANING

Bleach Cleanable (10:1)*
Water-based/Solvent (WS)
Mold & Fungal Resistant (ASTM C1338)

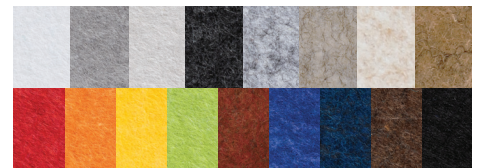
SUSTAINABILITY

Declare, HPD, Indoor Advantage™ Gold

FLAMMABILITY

All components have a Class "A" rating per ASTM E84

COLORS



WOODWINDS COLLECTION



Woodwinds is an upgrade finish, contact G&S for additional cost.

*Woodwinds is not bleach cleanable.