

aCapella FLOAT (AFC-.5) CableLock Plates for 1/2" Clouds

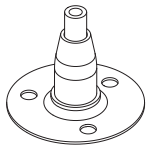
APPLICATION:

For ceiling mounting aCapella Float Cloud up to 4' x 6' with CableLock Plates.

TOOLS NEEDED:

Phillips Screwdriver

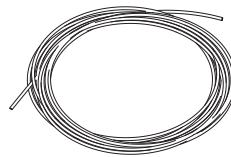
MOUNTING HARDWARE:



CableLock Plate



#8 x 1/2" Truss-Head Sharp Point Sheet Metal Screw



10' Cable

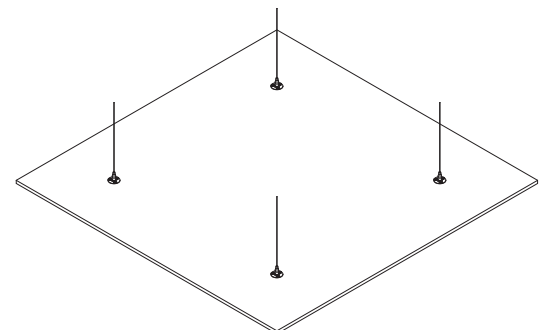
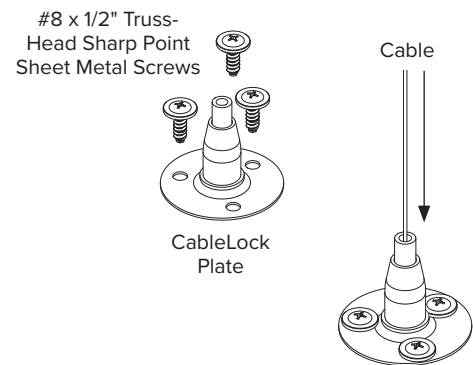
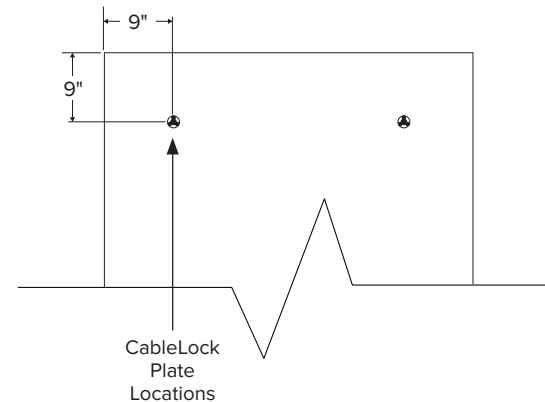
INSTALLATION INSTRUCTIONS:

1. Lay Float panel face down on a flat, clean surface.
Note: Back side of each Float panel should be clearly labeled. Follow the directional label on the back of the panel for installation orientation. All panels should be installed with the same orientation.
2. Measure 9" in from each edge of panel and mark Float Cloud. See page 2 for mounting point locations.
3. Center CableLock Plate on mark and install using #8 x 1/2" Truss-Head Sharp Point Sheet Metal Screws, three per CableLock Plate. Tighten each screw until snug. **Do not overtighten.** Repeat for all.
4. Once CableLock Plate is secured, push 1" of cable into the top of the CableLock Plate. The cable will automatically lock in place. To release cable, press down on the top of the CableLock holder and pull on the cable.

When all CableLock Plates and cables are installed, the Float Cloud is ready to hang. Use appropriate fasteners and hardware to install the clouds from the structure. Remove all stickers before hanging.

Note: Due to inconsistencies in the aCapella core thickness, we recommend a 1/4" reveal between adjoining panels.

MOUNTING DETAILS



aCapella **FLOAT - Clouds** CableLock Plates - Ceiling Installation

HANDLING AND STORAGE

aCapella panels must be stored indoors in a dry, climate controlled environment at all times. Exposure to moisture, excessive heat or humidity can cause panels to warp and/or stain.

Panels should be stored in a flat, fully supported, horizontal position and NOT on edge. It is recommended that 2 people carry each panel. Panel should be carried on edge, being careful not to bend panel at any time. Clean white gloves are also recommended when handling aCapella panels.

