

Melody mSCORES - Continuous Hanger Bar - Aluminum (CHBA)

Installation

APPLICATION:

For mounting Melody mScores Wall Panels with Continuous Hanger Bar - Aluminum (CHBA) to CHBA. CHBA sets are 96" long and may need to be trimmed based upon final panel size. Installation method will create a 3/4" reveal at the top of the panel.

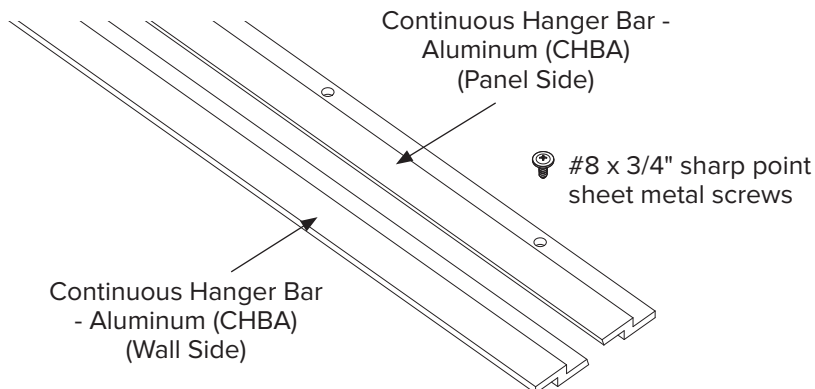
55" - 96" tall panels will require (3) CHBA sets, spaced evenly.

Panels that are less than 55" tall, require (2) CHBA sets.

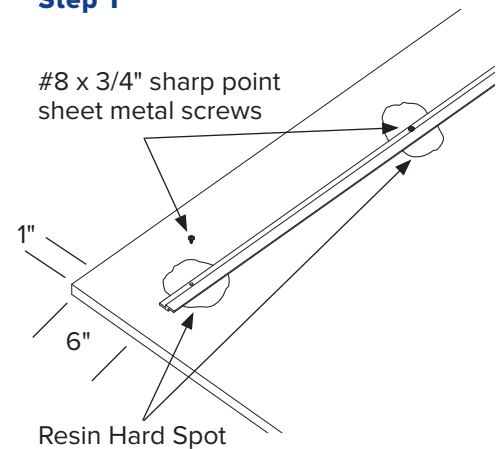
TOOLS NEEDED:

Drill, Fasteners (by others).

MOUNTING HARDWARE:



Step 1



INSTALLATION INSTRUCTIONS:

1. Cut each CHBA to length accordingly for the width of the panel. Hold CHBA 1" from each panel edge.

Locate and measure to the center of each resin hard spot on the back side of the panel. Transfer these measurements to the CHBA and drill one 3/16" hole in the CHBA for each resin hard spot. Repeat for each CHBA to be mounted on back side of panel. Do not pre-drill the resin spot.

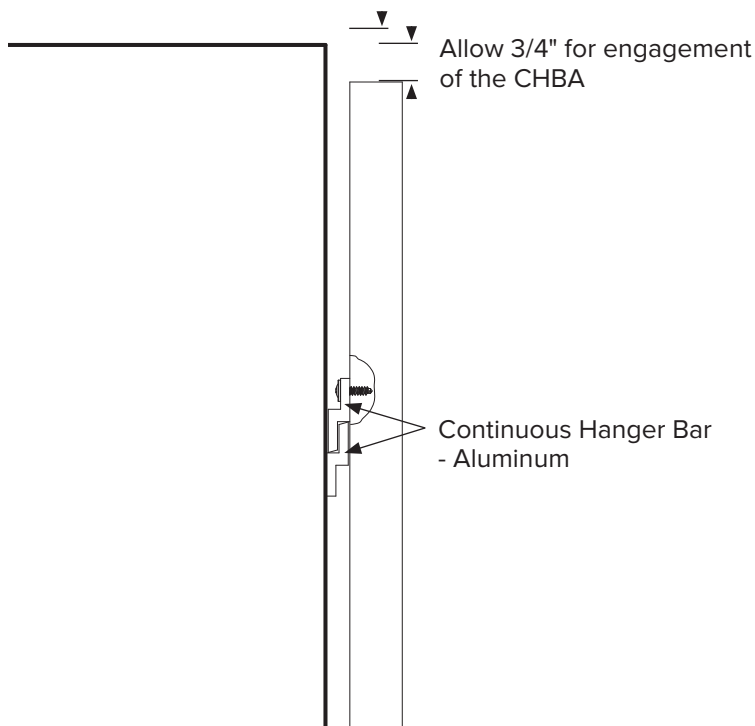
2. Start by installing the upper-most and bottom-most bars first. These will each be positioned 6" down from the top and 6" up from the bottom. Orient CHBA with the open gap of the hanger bar facing downward to allow it to engage the other half of hanger bar on the wall. Fasten CHBA to back of panel using #8 x 3/4" sharp point sheet metal screws supplied by G&S. Do not pre-drill the resin spot.

Melody mSCORES - Continuous Hanger Bar - Aluminum (CHBA) Installation

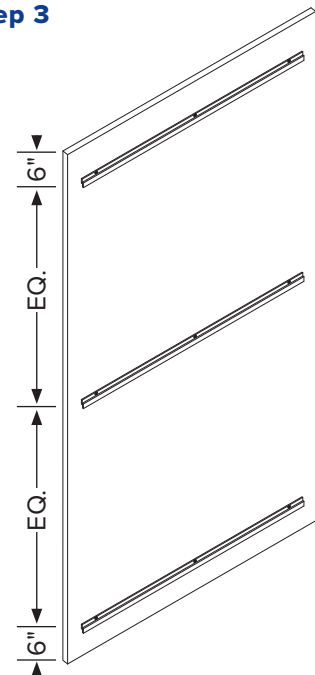
3. Install the remaining CHBA to the back of the panel evenly spaced between the top and bottom bars.
4. Next transfer CHBA location measurements from the back of the panel to the wall. Mark and drill holes in CHBA according to stud locations and secure CHBA to wall with appropriate fasteners with the open portion of the CHBA facing up to receive the panel CHBA. (Fasteners by others)
5. After the CHBAs are mounted to the panels and wall, lift the panels in place and slide the CHBAs together. All hanger bars must be fully engaged.

Note: outlets and/or cut outs in the panel may require specific adjacent additional supports and or Continuous Hanger Bars to support the panel at that cut out placement. Due to variations in thickness, some shimming may be required to align the panel edges.

Step 5



Step 3



Step 4

