

WALL MOUNTING: Two-Part Impaling Clip with Continuous Hanger Bar

APPLICATION:

For mounting fiberglass acoustical panels with two-part clips using a continuous hanger bar (CHBS).

DESCRIPTON:

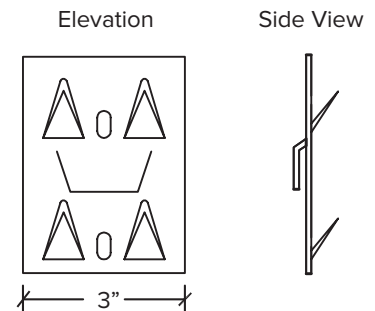
This installation method uses a **wall-mounted CHBS** and a **Z-Clip impaling plate** to wall-mount fiberglass acoustical panels. Engaging the two-part clip to the CHBS requires 3/4" of space above each panel. Installation is as follows:

1. Lay out panel location on wall.
2. Fasten CHBS to the wall horizontally as required to engage panel Z-Clips.
3. Place Z-Clips on installed hanger bar as required by panel size. Once all clips are attached to the hanger bar, install the panel by pushing it down and onto the impaling clips. Impaling clips will remain on the back of each panel.
4. If panel dimension is less than 48", space clips evenly.
5. Lift panel so Z-Clips in the back of the panel are above CHBS. Drop panel down until Z-Clips fully engage in CHBS.
6. This installation technique will leave a 3/4" reveal between the ceiling and the top of the panel.
7. Use the following guide to determine the number of clip locations required.

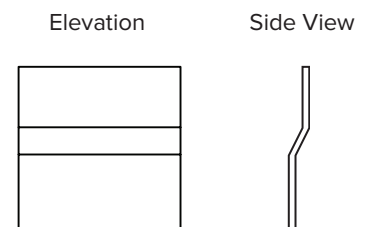
Panel Size	Number of Z-Clip Locations
Up to 16 sf	4
17 sf to 32 sf	6
33 sf to 60 sf	8

Note: Due to variations in fiberglass thickness, some shimming may be required to align the panel edges.

Z-Clip



CHBS Bar



Cross Section

