

aCapella **FLOAT (AFC-1)** TC Plates with T-Grid for 1" Clouds

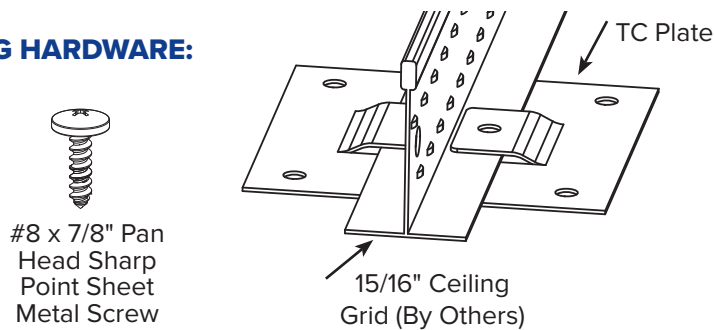
APPLICATION:

For ceiling mounting 1" aCapella Float Clouds with TC Plates and T-Grid 15/16" grid only (grid by others). The following is supplied by G&S for this mounting: TC Plate brackets and #8 x 7/8" Pan Head Sharp Point Sheet Metal Screws.

TOOLS NEEDED:

Phillips Screwdriver, Drill

MOUNTING HARDWARE:

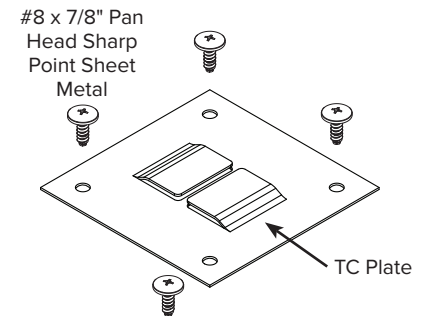


INSTALLATION INSTRUCTIONS:

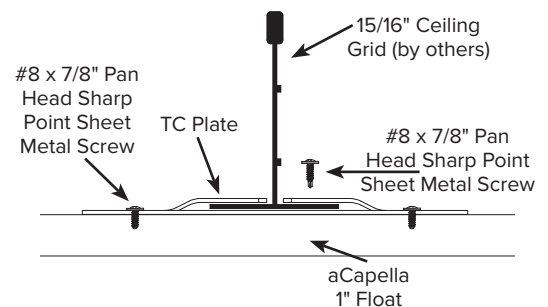
1. Lay the Float panel face down on a flat, clean surface.
Note: Back side of each Float panel should be clearly labeled. Follow the directional label on the back of the panel for installation orientation. All panels should be installed with the same orientation.
2. Cut T-Grid to length and insert appropriate amount of TC-Plates per the layout on page 2.
3. Position T-Grid with TC Plates on back of Float Panel per layout on page 2 and install using #8 x 7/8" pan head sharp point sheet metal screws, four screws per TC Plate. Tighten each screw until snug. **Do not overtighten.** Repeat for all. See Mounting Detail 1.
4. Once TC Plates are secured to the back of the panel, secure each TC-Plate to T-Grid with one #8 x 7/8" pan head sharp point sheet metal screw through the grid and into each TC Plate. Mounting Detail 2.

When all TC Plates and ceiling grid are installed, the Float Cloud is ready to hang. Use appropriate fasteners and hardware to install the clouds from the structure. Remove all stickers before hanging.

MOUNTING DETAIL 1



MOUNTING DETAIL 2



aCapella FLOAT - Clouds TC Plates with T-Grid

