

# aCapella SCORES - Continuous Hanger Bar (CHB) Installation

## APPLICATION:

For mounting 1/2" or 1" aCapella Scores with Continuous Hanger Bar (CHB).

Continuous Hanger Bar sets are 96" long and may need to be trimmed based upon which method (grouped or single) you will be using for the installation.

73" - 108" tall panels will require (4) CHB sets, spaced evenly.

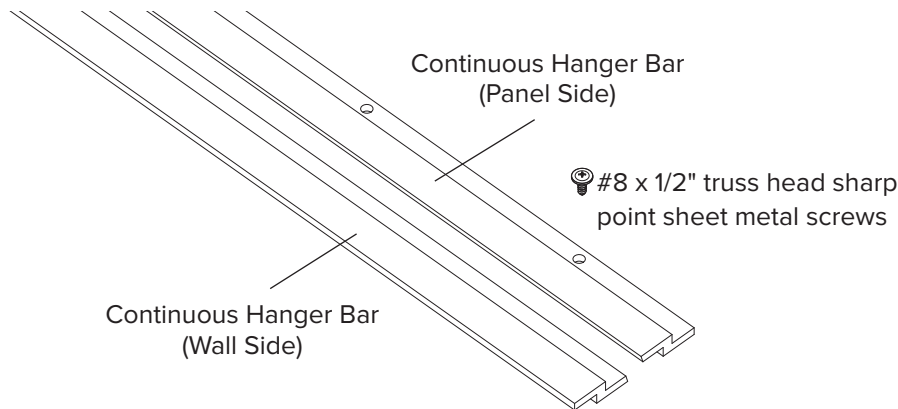
41" - 72" tall panels will require (3) CHB sets, spaced evenly.

Panels that are less than 40" tall will require (2) CHB sets.

## TOOLS NEEDED:

Drill, Fasteners (by others).

## MOUNTING HARDWARE:



## INSTALLATION INSTRUCTIONS:

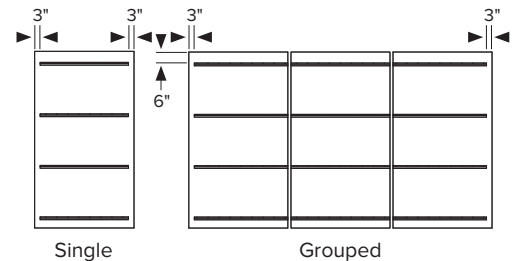
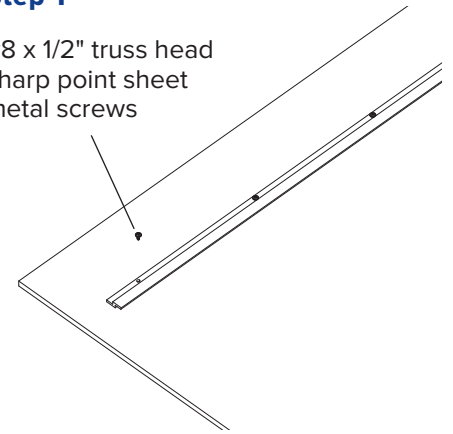
1. Cut CHB to length accordingly for either Grouped or Single installed panels. For Grouped panels hold CHB 3" from the edge of the outermost butted panels of the group. For panels that abut install CHB even with vertical edge of panel. For single panels hold CHB 3" off each edge.

Drill 3/16" holes in the CHB that will be on the panel, first hole 1" from each panel edge, then additional maximum 12" on-center. Install CHB to the back of panels using #8 x 1/2" truss head sharp point sheet metal screws supplied by G&S.

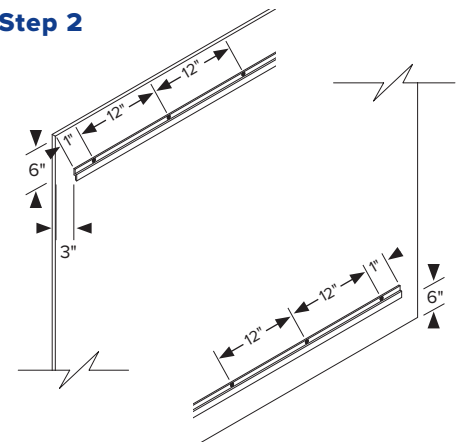
2. Start by installing the upper-most and bottom-most bars first. These will each be positioned 6" down from the top and 6" up from the bottom. Orient CHB with the open gap of the hanger bar facing downward to allow it to engage the other half of hanger bar on the wall.

## Step 1

#8 x 1/2" truss head sharp point sheet metal screws



## Step 2



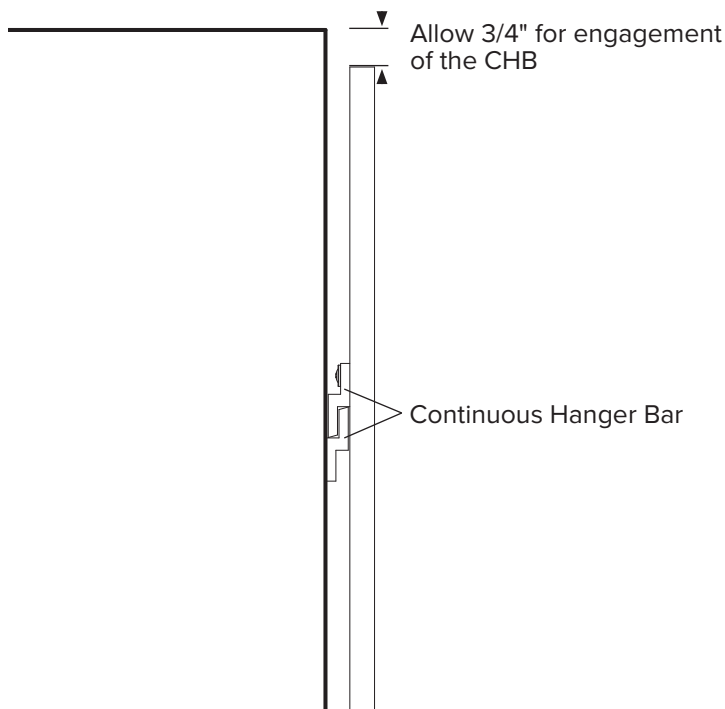
# aCapella SCORES - Continuous Hanger Bar (CHB)

## Installation

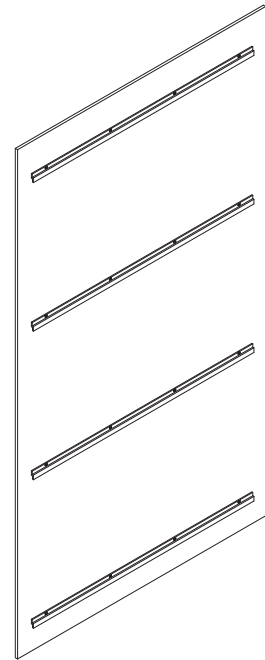
3. Install the remaining CHB to the back of the panel evenly spaced between the top and bottom bars.
4. Next transfer CHB location measurements from back of panel to the wall. Stagger joints of CHB on the wall so vertical joints are at least 6" from any abutting panel edge. Mark and drill holes in CHB according to stud locations and secure CHB to wall with appropriate fasteners with the open portion of the CHB facing up to receive the panel CHB. (Fasteners by others)
5. After the CHBs are mounted to the panels and wall, lift the panels in place and slide the CHBs together. All hanger bars must be fully engaged.

**Note: outlets and/or cut outs in the panel may require specific adjacent additional supports and or Continuous Hanger Bars to support the panel at that cut out placement. Due to variations in thickness, some shimming may be required to align the panel edges.**

### Step 5



### Step 3



### Step 4

