

aCapella CHORUS - Baffles

D-Ring with C-Tube - Ceiling Installation

TOOLS NEEDED:

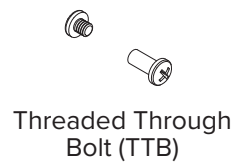
Drill, 5/16" Spade Drill Bit, (2) Phillips Screwdrivers, Metal Saw

MOUNTING HARDWARE:

1 1/4" x 1 1/4" x 8' C-Tube



Grip5



Threaded Through Bolt (TTB)



D-Ring



End Cap



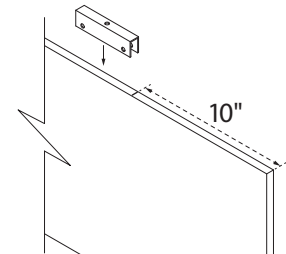
#8 x 3/4"
Truss Head
Self-Drilling
Screw

*Additional Mounting Hardware (by others):
Chain or cable to hang Chorus Baffles groups*

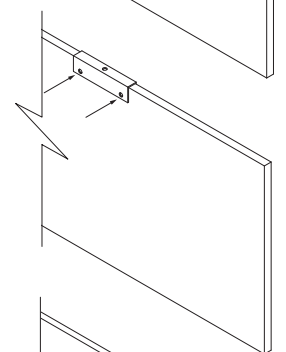
INSTALLATION INSTRUCTIONS:

1. Each Chorus Baffle requires two (2) Grip5s. Units over 72" require a third Grip5. Measure 10" from the top corner and mark. Measure and locate center of baffle if unit is over 72".
2. Align one edge of the Grip5 on the 10" mark then locate the holes on the side of the Grip5 and mark the Chorus Baffle through the holes. Mark location of center Grip5 if required.
3. Remove the Grip5 and drill two (2) 5/16" holes. Repeat on the opposite top corner and for all remaining Chorus Baffles.
4. Cut the C-Tubes to desired length. A center C-tube is required for baffles over 72"w.
5. Measure 1" in from the end and mark. Measure and mark additional Grip5s a minimum of 3" apart. Align the Grip5 so it is centered left and right as well as perpendicular to the C-Tube. Use one (1) of the #8 x 3/4" Truss Head Self-Drilling Screws to fasten the Grip5 to the C-Tube. Repeat to fasten remaining Grip5s. **Do not overtighten.**

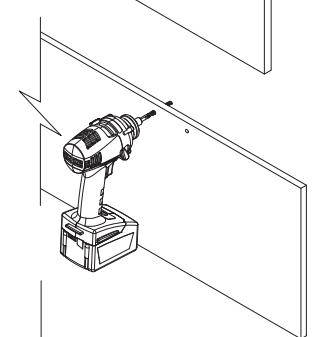
Step 1



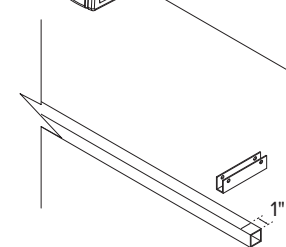
Step 2



Step 3



Step 4



Step 5

