

WALL MOUNTING: TPI-HS Continuous Hanger (CHB48S) and Resin Spots

APPLICATION:

For wall mounting fiberglass acoustical panels.

DESCRIPTON:

This installation technique uses a factory applied TPI-HS clip and a continuous hanger bar, CHB48S, fastened to the wall. Engaging the two-part clip requires 3/4" reveal.

Handling

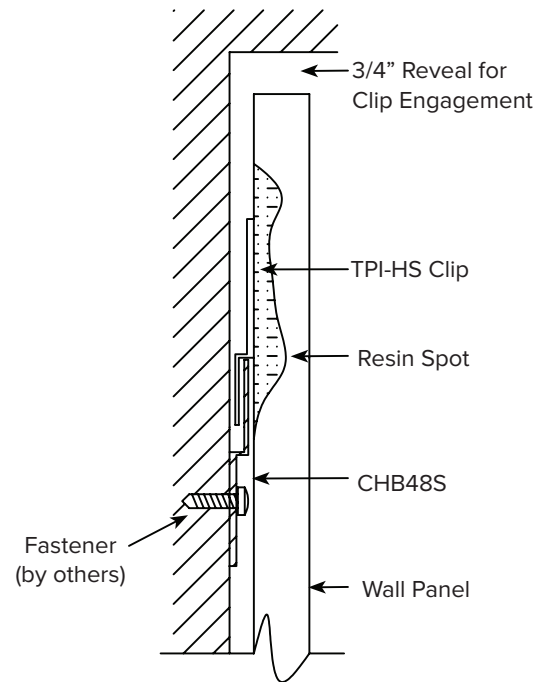
1. It is recommended to hold the panel on the edge when moving or carrying.
2. Please note the panel designations on the back for panel layout.

Installation

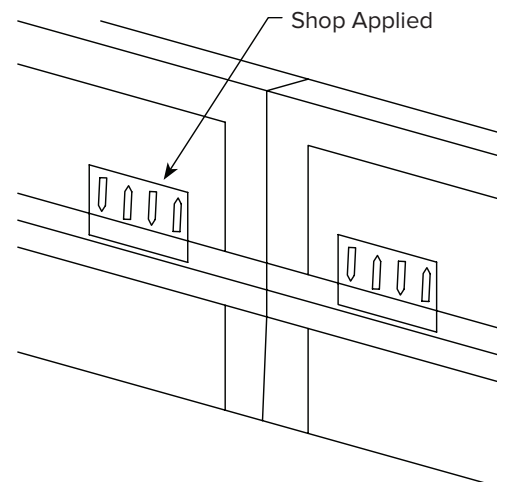
1. Locate installation points for the CHB48S on the wall measuring the TPI-HS locations on the back of the panel. Snap a line to assist in the hanger bar installation. Allow 3/4" reveal for engagement.
2. Attach the CHB48S to the wall with appropriate fasteners for the wall condition and type. Fasten to studs when possible, spacing 16" apart with fasteners. Fasteners are not provided by G&S.
3. Lift panels so TPI-HS clips are above wall mounted CHB48S. Lower panel to engage clips. Verify all clips are engaged.
4. If Safety Clips are required to prevent lifting of panels, please contact G&S Acoustics.

Note: Due to variations in fiberglass thickness, some shimming may be required to align the panel edges.

Wall Mounting Detail



Back View

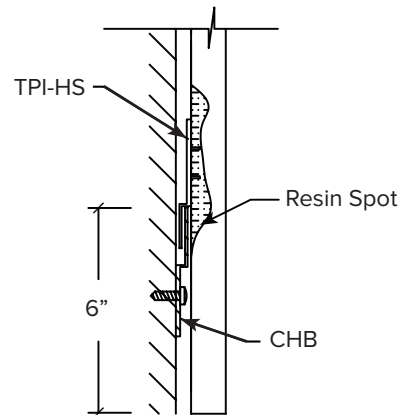
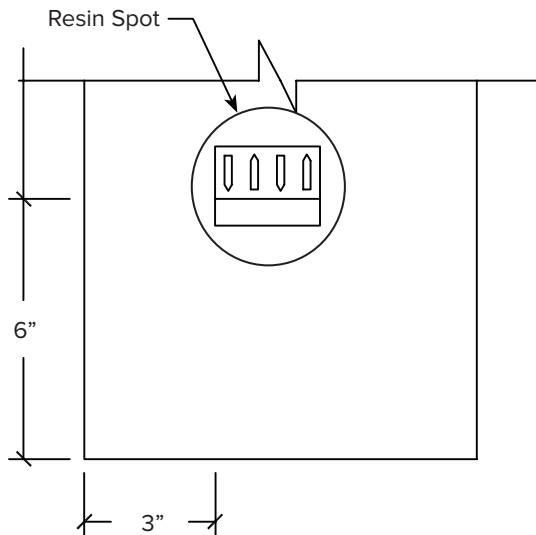
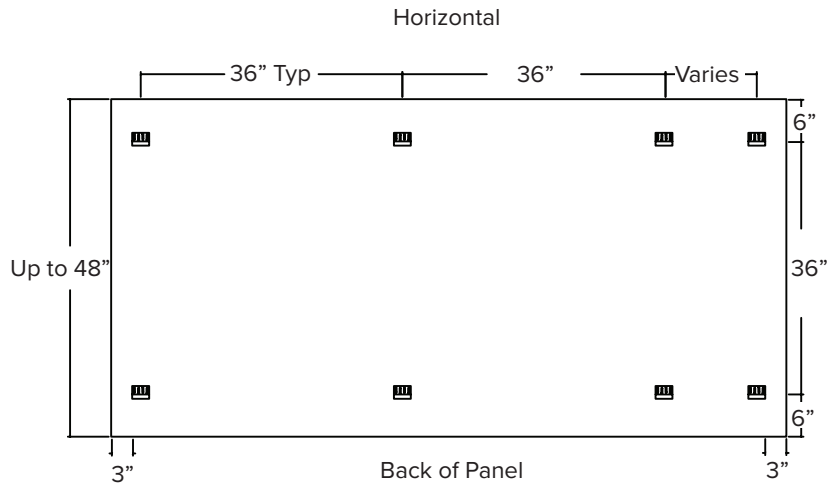


Standard Locations for TPI-HS Horizontal - Wall

Note: Over 54" in height adds a 3rd row of spots at center of each panel. 3" and 4" thick panels will have a 3rd row when 48" high.

Note: Start layout at 6" from bottom of panel.

Note: Custom layout required for panels less than 12" high. Layout will be shown on shop drawings.



Standard Locations for TPI-HS Vertical - Wall

Note: Over 54" in width adds a 3rd row of spots at center of each panel. 3" and 4" thick panels will have a 3rd column when 48" wide.

Note: Start layout at 6" from bottom of panel.

Note: Custom layout required for panels less than 12" wide. Layout will be shown on shop drawings.

Vertical

