

WALL MOUNTING: Continuous Hanger Bar (CHB) with CHB, 1"-4" Panels

APPLICATION:

For wall mounting 1" to 4" fiberglass acoustical panels.

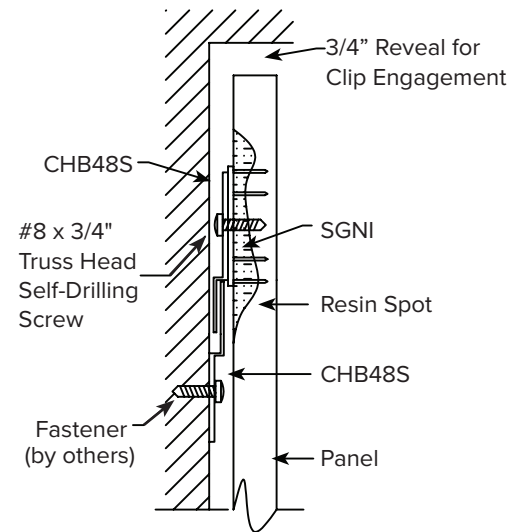
DESCRIPTON:

This installation technique uses a metal plate (SGNI) with a continuous hanger bar (CHB48S) screwed to the plate (by others) and a continuous hanger bar (CHB48S) screwed to the wall (by others). Engagement requires 3/4" of space. Installation is as follows:

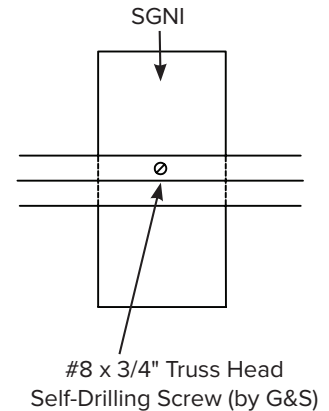
1. Use the #8 x 3/4" truss head self drilling screws to attach the CHB48S to the SGNI. See Detail 1.
2. Locate installation points of the CHB48S on the wall by measuring the locations of the CHB48S on the back of the panel. Install CHB48S to the wall with appropriate fasteners (by others). Allow 3/4" engagement.
3. Lift the panel in place and slide the CHB48S' together. All hanger bars must be fully engaged.

Note: Due to variations in fiberglass thickness, some shimming may be required to align the panel edges.

Mounting Detail

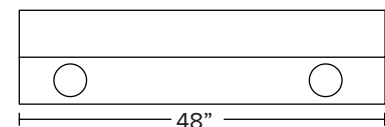


Detail 1



CHB48S

Elevation



Side View

