

CEILING MOUNTING: Reflection Cloud (RC)

APPLICATION:

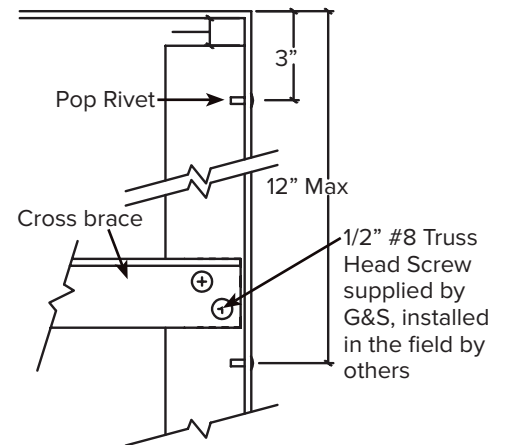
For hanging flat-shaped Reflector Clouds (RC) that weigh 1.5 lbs per square foot.

DESCRIPTION:

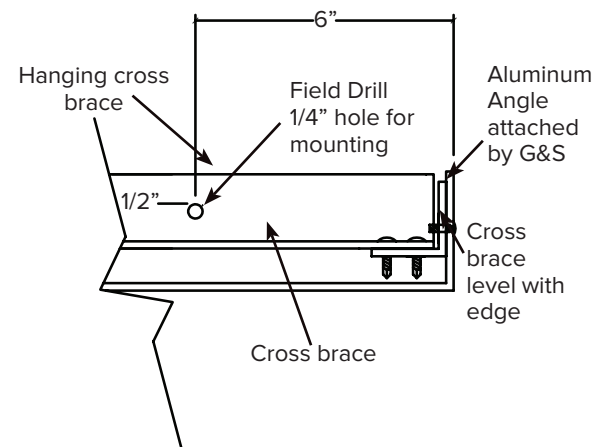
Installation is as follows:

1. All cross braces installed by G&S as shown on Detail A.
2. Field drill holes in the cross braces at each end of the Reflector Cloud for mechanical or wire attachment as shown on Detail B and Drawing 1.
3. Use wire, chain (provided by others) to hang each Reflection Cloud from the cross braces. Hang with minimum of 4 wires.

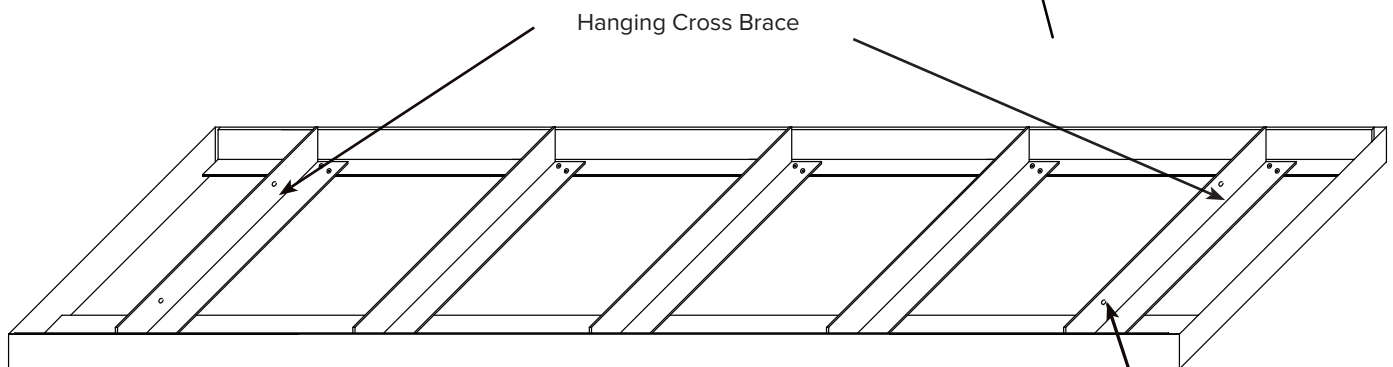
Cloud Mounting Detail A



Detail B

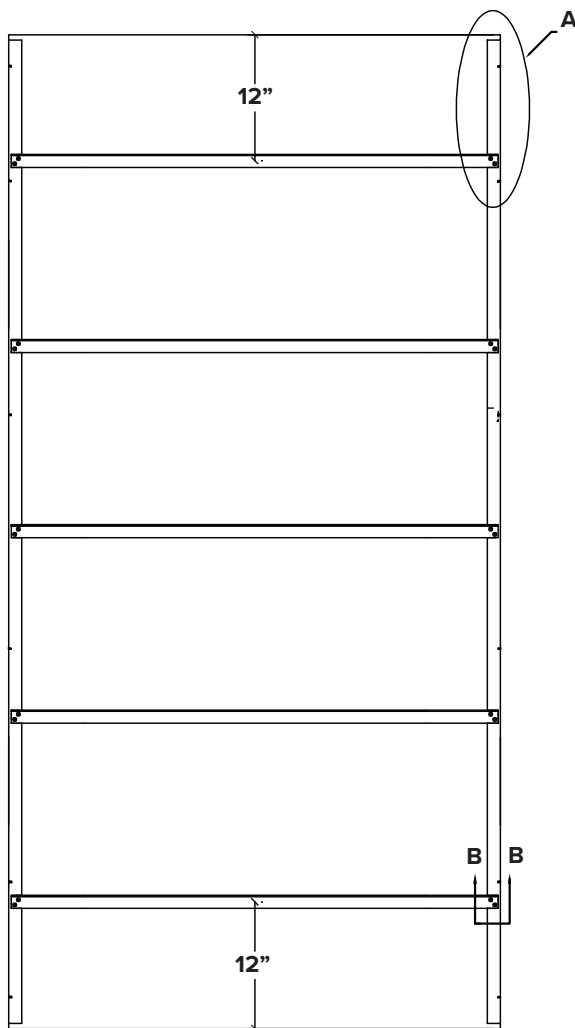


Drawing 1

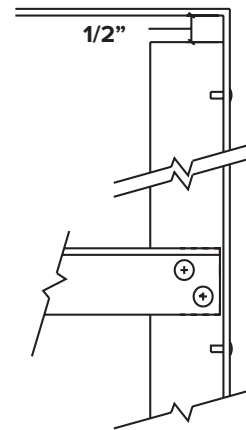


Mechanical or wire attachment by others using 1/4" holes

CEILING MOUNTING: Reflection Cloud (RC)



Detail A



B

