

# CEILING MOUNTING: Clouds TCI-HS with T-Grid for 1"-2" Clouds

## APPLICATION:

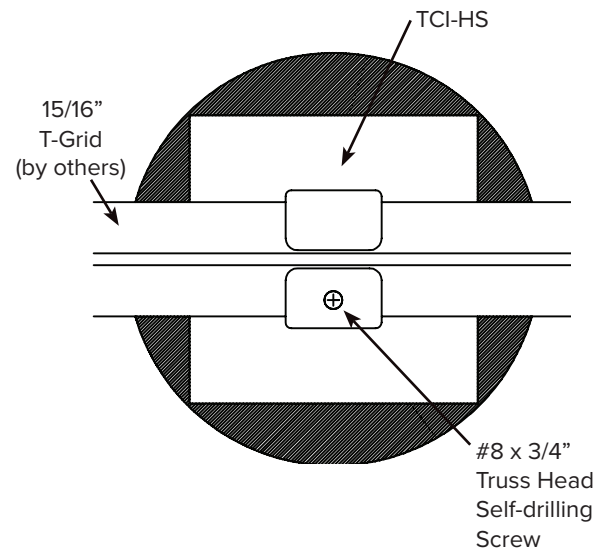
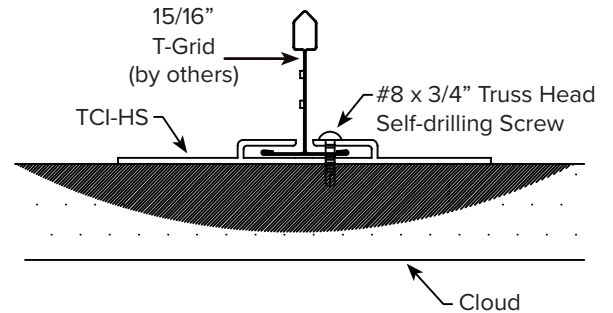
For ceiling mounting 1"-2" fiberglass acoustical Clouds with TCI-HS and T-Grid (15/16", by others). The following is supplied by G&S for this mounting: TCI-HS brackets and #8 x 3/4" truss head self-drilling screws for each clip.

## DESCRIPTION:

This installation uses TCI-HS brackets, factory installed with resin spots and T-Grid (supplied by others). Installation is as follows:

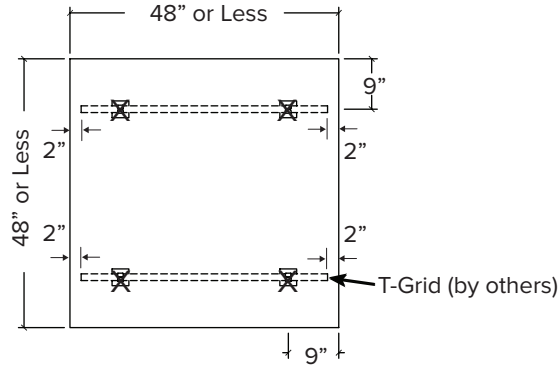
1. Determine the orientation of the TCI-HS locations on the back of each Cloud.
2. Cut T-Grid to length and insert appropriate amount of TC-Plates per the layout on page 2.
3. Slide the T-Grid through all the TCI-HS locations in that row. Make sure a single piece of T-Grid is used. See the attached standard location sheet.
4. Install #8 x 3/4" truss head self-drilling screws through TCI-HS into T-Grid to prevent the Cloud from sliding, as shown on the details.
5. Secure T-Grid to appropriate structure with wire or cable (supplied by others). Use at least four hanging points.

## Mounting Details

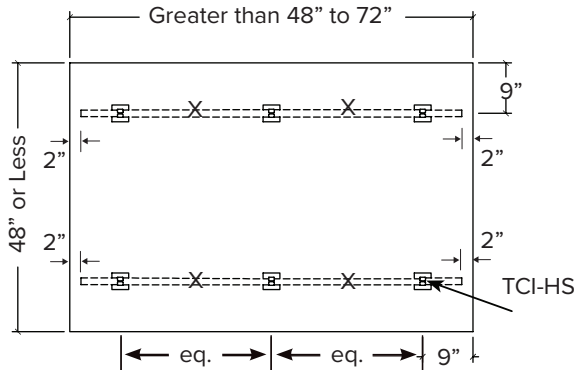


# Standard Locations for Ceiling Mounting: Clouds - 1"-2" TCI-HS and T-Grid

Note: Over 4' in both dimensions add 3rd row of spots at center of each panel.



Note: These are standard locations. If your installation requires custom fastener locations, please note this on the shop drawings.



X = Hanging points, should be between two TCI-HS clips, unless shown otherwise.

