

CEILING MOUNTING: Accent Baffles for T-Grid Mounting

APPLICATION:

For ceiling mounting Accent Baffles with T-Grid Mounting.

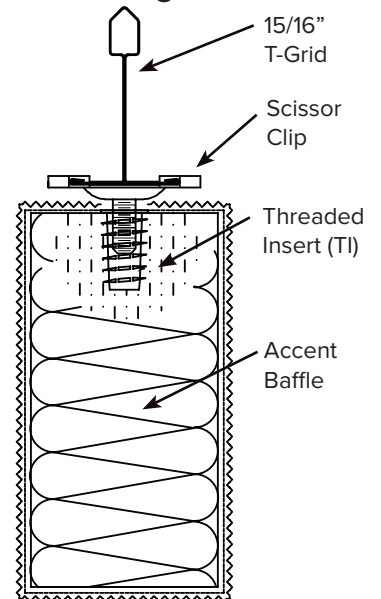
DESCRIPTION:

This installation uses a threaded scissor clip fastened to a factory installed threaded insert (TI). Installation is as follows:

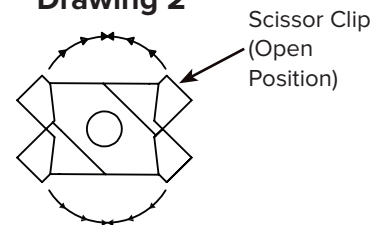
1. Handle the Accent Baffle very carefully. If the Baffles are wrapped in packaging, leave them wrapped until they are installed.
2. Screw the scissor clip into the threaded insert until it is snug, but in line with the T-Grid. See Drawing 1. Continue to install a scissor clip at each threaded insert.
3. Confirm that there are T-Grids located at every installation location of the Accent Baffles.
4. Open all the scissor clips so they are ready to receive the T-Grid. Lift the Accent Baffles into place and close the scissor clips securely around each T-Grid. See Drawing 2.
5. Accent Baffles must be installed with a 2" space between the baffles.

Mounting Details

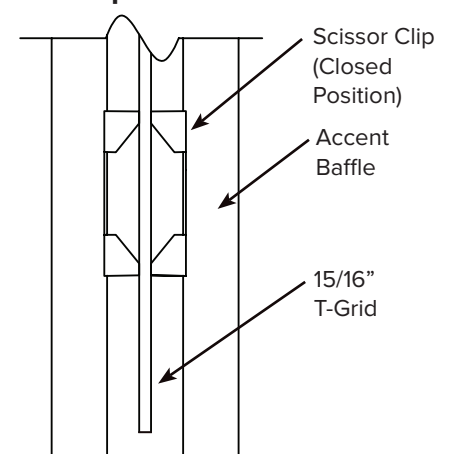
Drawing 1



Drawing 2



Top View



CEILING MOUNTING: Accent Baffles for T-Grid Mounting

Scissor Clip Layout for T-Grid Mounting.

