

# Melody mVerse Baffles

## mTop Clamp - Ceiling Installation

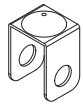
### APPLICATION:

For ceiling mounting Melody mVerse Baffles using a mTop Clamp.

### TOOLS NEEDED:

Drill, 5/16" Spade Drill Bit, (1) Slotted Screwdriver

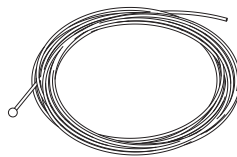
### MOUNTING HARDWARE:



mTop Clamp



Threaded Through Bolt (TTB)

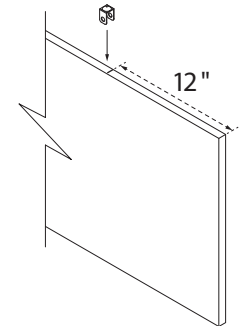


10' Cable with Swage

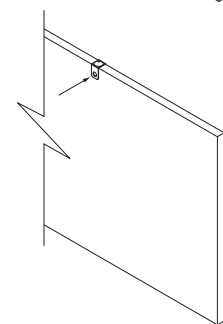
### INSTALLATION INSTRUCTIONS:

1. Each mVerse Baffle requires two (2) mTop Clamps. Units over 72" require a third mTop Clamp in the center. Measure 12" from the top corner and mark. Measure and locate center of baffle if unit is over 72"
2. Align one edge or center of the mTop Clamp on the 12" mark then locate the holes on the side of the mTop Clamp and mark the mVerse Baffles through the holes. Mark location of center mTop Clamp if required.
3. Remove the mTop Clamp and drill one (1) 5/16" hole. Repeat on the opposite top corner and for all remaining mVerse Baffles.
4. Insert the cable up through the top hole in each mTop Clamp. Pull cable through mTop Clamp until the swage sits snug inside mTop Clamp.

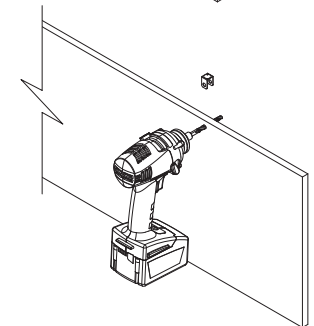
### Step 1



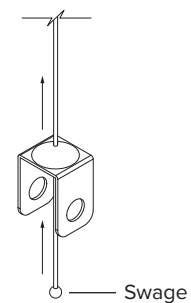
### Step 2



### Step 3



### Step 4



# Melody

# Melody mVerse Baffles

## mTop Clamp - Ceiling Installation

- Slide mTop Clamp onto mVerse Baffles, aligning mTop Clamp hole with 5/16" pre-drilled holes in baffles. Attach using the Threaded Through Bolts. **Ensure all mVerse Baffles' fronts are facing the same direction.** Hand tighten with slotted screwdriver. Repeat for all.

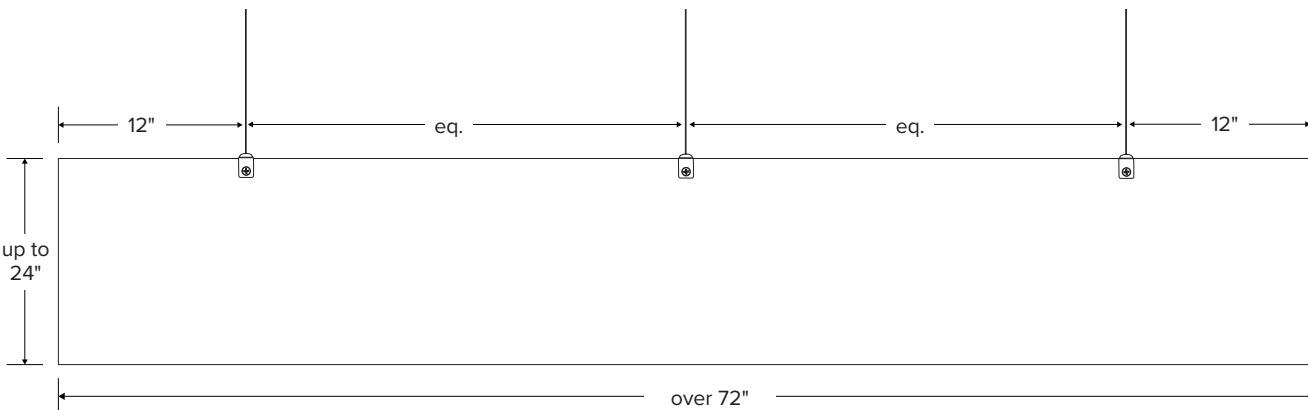
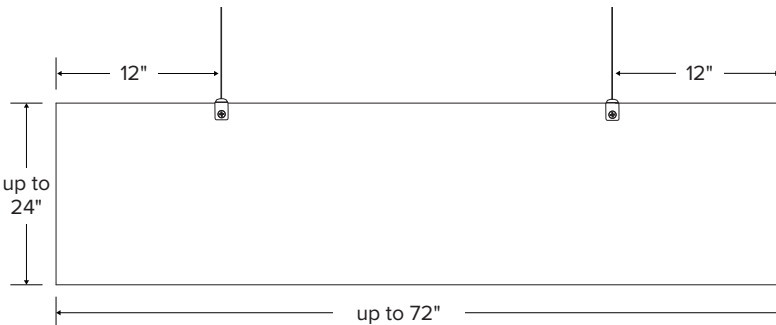
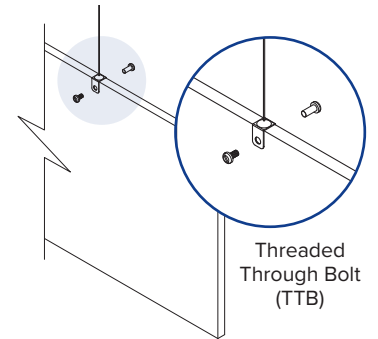
**The mVerse Baffle is now ready to hang. Use appropriate fasteners and hardware to install the baffles from the structure. All cables from mVerse baffle must be hung plumb and all mounting points in-line, failure to do so can cause baffle to curve or bend. Remove all stickers before hanging.**

### HANDLING AND STORAGE

Melody panels must be stored indoors in a dry, climate controlled environment at all times. Exposure to moisture, excessive heat or humidity can cause panels to warp and/or stain.

Panels should be stored in a flat, fully supported, horizontal position and NOT on edge. It is recommended that 2 people carry each panel. Panel should be carried on edge, being careful not to bend panel at any time. Clean white gloves are also recommended when handling Melody panels.

### Step 5



# Melody