

Melody mVerse Baffles

Direct Mount - Ceiling Installation

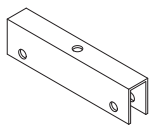
APPLICATION:

For ceiling mounting Melody mVerse Baffles direct to ceiling using Grip1.

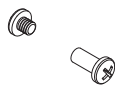
TOOLS NEEDED:

Drill, 5/16" Spade Drill Bit, (2) Phillips Screwdrivers, Fasteners (by others)

MOUNTING HARDWARE:



Grip1

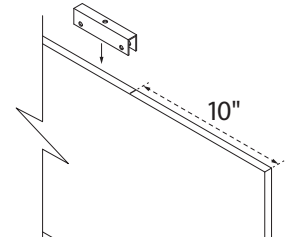


Threaded Through Bolt (TTB)

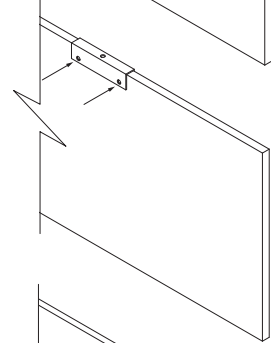
INSTALLATION INSTRUCTIONS:

1. Each mVerse Baffle requires two (2) Grip1s. Units over 72" require a third Grip1 in the center. Measure 10" from the top corner and mark. Measure and locate center of baffle if unit is over 72".
2. Align one edge of the Grip1 on the 10" mark, then locate the holes on the side of the Grip1 and mark the mVerse Baffle through the holes. Mark location of center Grip1 if required.
3. Remove the Grip1 and drill two (2) 5/16" holes. Repeat on the opposite top corner and for all remaining mVerse Baffles.
4. Measure and mark Grip1s a minimum of 3" apart on ceiling. Install Grip1s using one (1) fastener (by others) per Grip1. Grip1s should be installed in line to allow installing of mVerse Baffles.

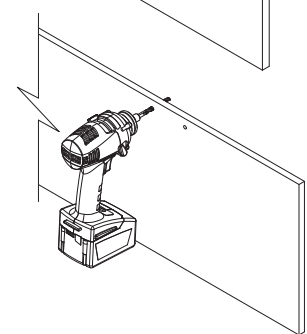
Step 1



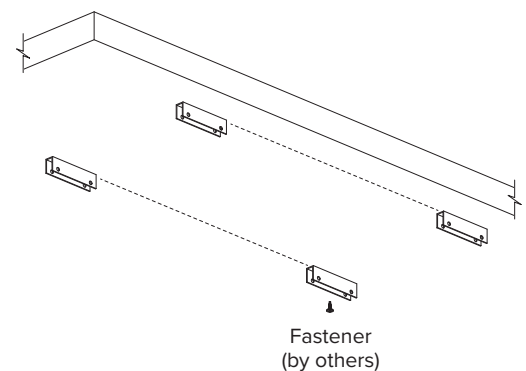
Step 2



Step 3



Step 4



Melody

Melody mVerse Baffles

Direct Mount - Ceiling Installation

INSTALLATION INSTRUCTIONS:

- Place mVerse Baffles in the Grip1 and attach using the Threaded Through Bolts. **Ensure all mVerse Baffles' fronts are facing the same direction.** Hand tighten with Phillips screwdrivers. Repeat for all.

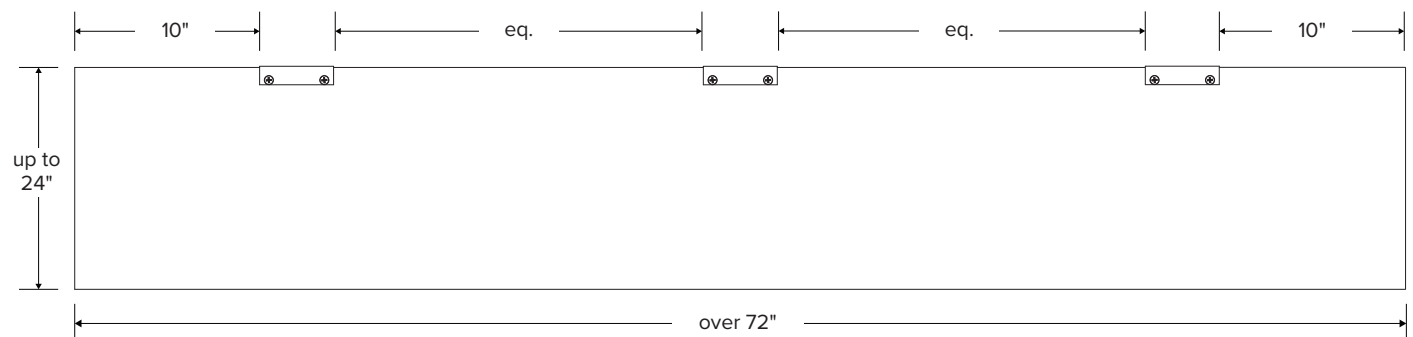
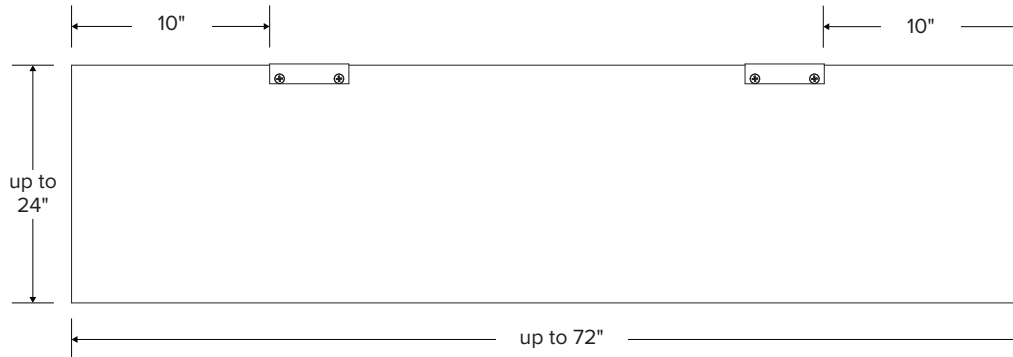
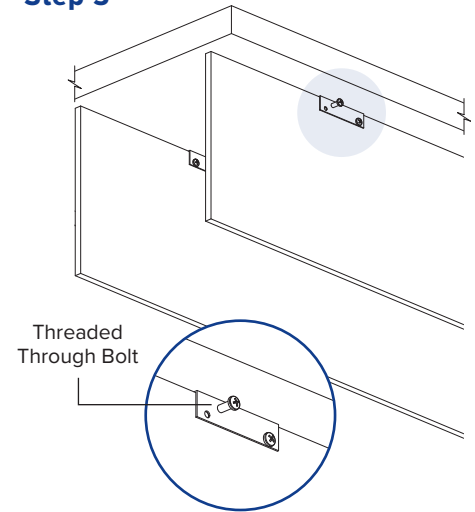
Use appropriate fasteners and hardware to install the baffles from the structure. Remove all stickers before hanging.

HANDLING AND STORAGE

Melody panels must be stored indoors in a dry, climate controlled environment at all times. Exposure to moisture, excessive heat or humidity can cause panels to warp and/or stain.

Panels should be stored in a flat, fully supported, horizontal position and NOT on edge. It is recommended that 2 people carry each panel. Panel should be carried on edge, being careful not to bend panel at any time. Clean white gloves are also recommended when handling Melody panels.

Step 5



Melody