

WALL MOUNTING: M-Impaling Clip with Adhesive



APPLICATION:

For mounting mineral fiber board wall panels with adhesive and holding clips.

DESCRIPTON:

This installation technique combines the permanence of adhesive with our M-Impaling Clips to hold them in place while the adhesive dries. This allows you to install mineral fiber board wall panels without any bottom support. Installation is done in the following order:

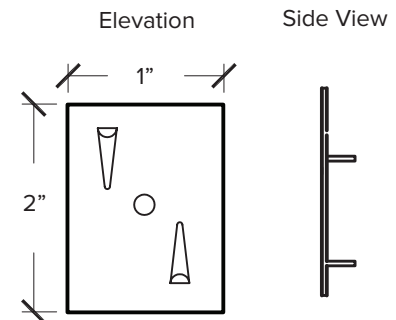
1. Lay out the panel location on the wall.
2. Fasten impaling clips to the wall at the following rate:

Panel Size	Number of M-Clips
Up to 7 sf	2
8 sf to 16 sf	4
17 sf to 32 sf	6
33 sf to 48 sf	8

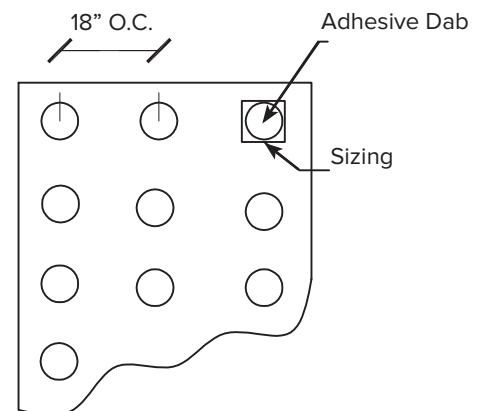
They only need to hold the panel in place for 48 hours while the adhesive dries.

3. Use only water-based, heavy-bodied adhesive. G&S Acoustics recommends using WW Henry 440 Cove Base Adhesive. **Do not apply adhesive in a "ribbon" pattern.**
4. **Walls must be primed or painted** with no grease, dust or dirt. Walls should be even, with no protruding nails or screws.
5. With a putty knife, size the back of the panel by applying a thin coat of adhesive, approximately 4"x4" square, 18" O.C. across the back of the panel. **Note:** Use only heavy-bodied, water-based adhesive.
6. Place adhesive dabs (the size of a large egg) centered on each 4"x4" sized area. **Do not put adhesive on clips.**
7. Position the wall panel at the installation location. Press the panel straight to the wall, ensuring that the clips are embedded in the back.
8. **This installation allows for the top of the panels to be installed tight to the ceiling.**

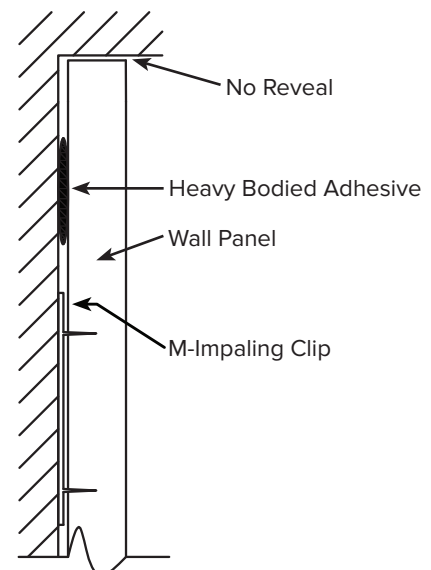
M-Impaling Clip



Adhesive



Cross Section



WALL MOUNTING: Tackable Wall Panels (TW & ATM) - Transportation & Storing



APPLICATIONS:

Transporting and storing mineral fiberboard panels (TW and ATM) once received.

HANDLING AND STORAGE

TW and ATM mineral fiberboard panels must be stored indoors in a dry, climate controlled environment at all times. Exposure to moisture, excessive heat or humidity can cause panels to warp and/or stain.

Panels should be stored in a flat, fully supported, horizontal position and NOT on edge. It is recommended that 2 people carry each panel. Panel should be carried or moved on edge, be careful not to bend panel at any time. Clean white gloves are recommended when handling TW and ATM panels.

When transporting TW and ATM panels support bars should be attached to the cart to fully support the panels, while on edge and to prevent bowing. See illustration below:

