

# WALL MOUNTING: Two-Part Impaling Clip with Continuous Hanger Bar

## APPLICATION:

For mounting fiberglass acoustical panels with two-part clips using a continuous hanger bar (CHBS).

## DESCRIPTON:

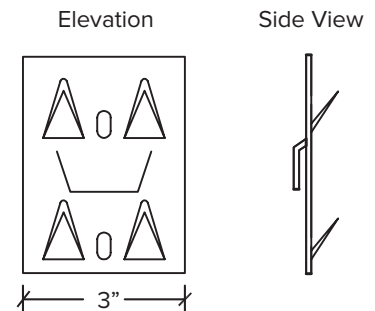
This installation method uses a **wall-mounted CHBS** and a **Z-Clip impaling plate** to wall-mount fiberglass acoustical panels. Engaging the two-part clip to the CHBS requires 3/4" of space above each panel. Installation is as follows:

1. Lay out panel location on wall.
2. Fasten CHBS to the wall horizontally as required to engage panel Z-Clips.
3. Impale Z-Clips to the back of panels matching layout of CHBS bars.
4. If panel dimension is less than 48", space clips evenly.
5. Lift panel so Z-Clips in the back of the panel are above CHBS. Drop panel down until Z-Clips fully engage in CHBS.
6. This installation technique will leave a 3/4" reveal between the ceiling and the top of the panel.
7. Use the following guide to determine the number of clip locations required.

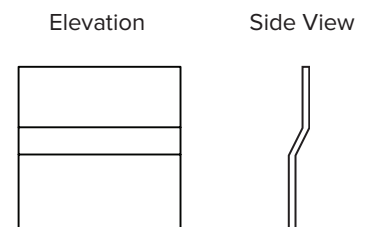
Panel Size	Number of Z-Clip Locations
Up to 16 sf	4
17 sf to 32 sf	6
33 sf to 60 sf	8

Note: Due to variations in fiberglass thickness, some shimming may be required to align the panel edges.

## Z-Clip



## CHBS Bar



## Cross Section

