

CEILING MOUNTING: Seamless Bottom Baffle for T-Grid Mounting

APPLICATION:

For ceiling mounting Seamless Bottom Baffles with T-Grid Mounting.

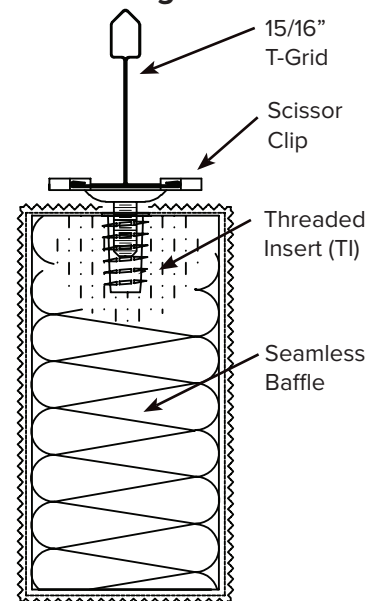
DESCRIPTION:

This installation uses a scissor clip fastened to a factory installed threaded insert (TI). Installation is as follows:

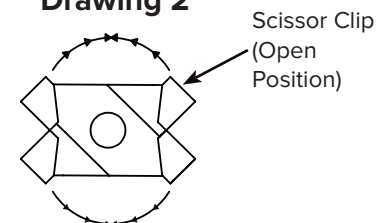
1. Handle the Seamless Bottom Baffle very carefully.
2. Screw the scissor clip into the threaded insert until it is snug, but in line with the T-Grid. See Drawing 1. Continue to install a scissor clip at each threaded insert.
3. Confirm that there are T-Grids located at every installation location of the Seamless Bottom Baffles.
4. Open all the scissor clips so they are ready to receive the T-Grid. Lift the Seamless Bottom Baffles into place and close the scissor clips securely around each T-Grid. See Drawing 2.
5. Seamless Bottom Baffles must be installed with a 2" space between the baffles.

Mounting Details

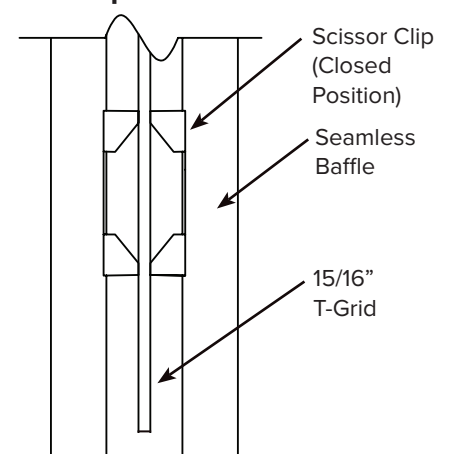
Drawing 1



Drawing 2



Top View



CEILING MOUNTING: Seamless Bottom Baffle for T-Grid Mounting

Scissor Clip Layout for T-Grid Mounting.

