

# CEILING MOUNTING: SM-Clip, 1" Clouds

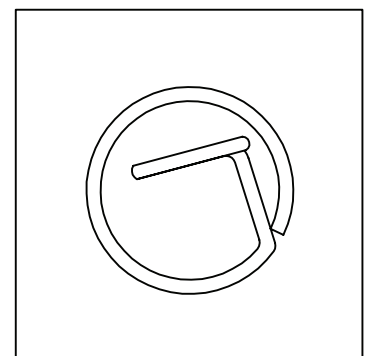
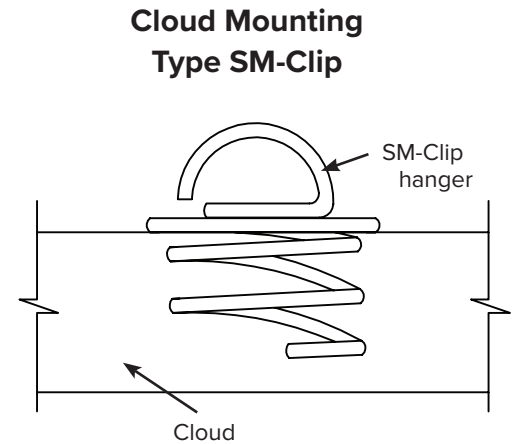
## APPLICATION:

For hanging fiberglass acoustical panels as Clouds. Use on 1" thick Clouds up to 4'x4' (16 sf or less). See drawings below.

## DESCRIPTION:

This installation uses SM-Clip hanger assemblies. This allows you to install fiberglass acoustical clouds from ceilings. Installation is as follows:

1. SM-Clip hangers come fully assembled and ready to install in the back of each Cloud.
2. Locate each place to install SM-Clip hangers. The minimum distance from each edge is 9". See drawings below.
3. Place the SM-Clip hanger on the back of the fiberglass Cloud with the open edge of the spiral at the bottom. At the same time, push and turn, by hand only, the SM-Clip hanger into the back of the panel until it is fully engaged. See drawings to the right. Do Not Overtighten.
4. Use wire, chain or "S" hooks (provided by others) to hang the Clouds.
5. Number of SM-Clip clips per Cloud. See drawings below:



SM-Clip fully engaged, top view

