

Melody mSCORES - Continuous Hanger Bar (CHB) Installation

APPLICATION:

For mounting Melody mScores Wall Panels with Continuous Hanger Bar (CHB) to Continuous Hanger Bar (CHB). Continuous Hanger Bar (CHB) sets are 96" long and may need to be trimmed based upon final panel size. Installation method will create a 3/4" reveal at the top of the panel

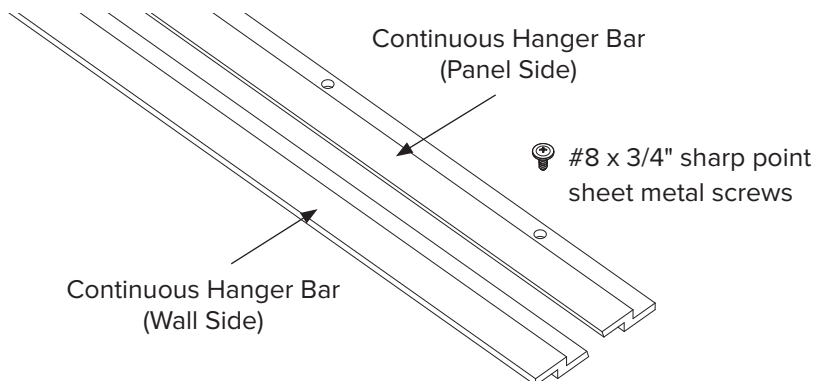
55" - 96" tall panels will require (3) CHB sets, spaced evenly.

Panels that are less than 55" tall, will require (2) CHB sets.

TOOLS NEEDED:

Drill, Fasteners (by others).

MOUNTING HARDWARE:



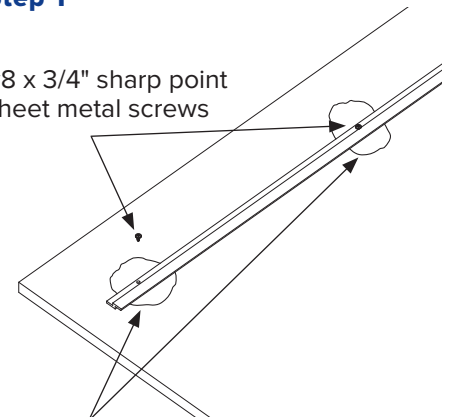
INSTALLATION INSTRUCTIONS:

1. Cut each CHB to length accordingly for the width of the panel. Hold CHB 1" from each panel edge.

Locate and measure to the center of each resin hard spot on the back side of the panel. Transfer these measurements to the CHB and drill one 3/16" hole in the CHB for each resin hard spot. Repeat for each CHB to be mounted on back side of panel. Do not pre-drill the resin spot.
2. Start by installing the upper-most and bottom-most bars first. These will each be positioned 6" down from the top and 6" up from the bottom. Orient CHB with the open gap of the hanger bar facing downward to allow it to engage the other half of hanger bar on the wall. Fasten CHB to back of panel using #8 x 3/4" sharp point sheet metal screws supplied by G&S. Do not pre-drill the resin spot.

Step 1

#8 x 3/4" sharp point
sheet metal screws



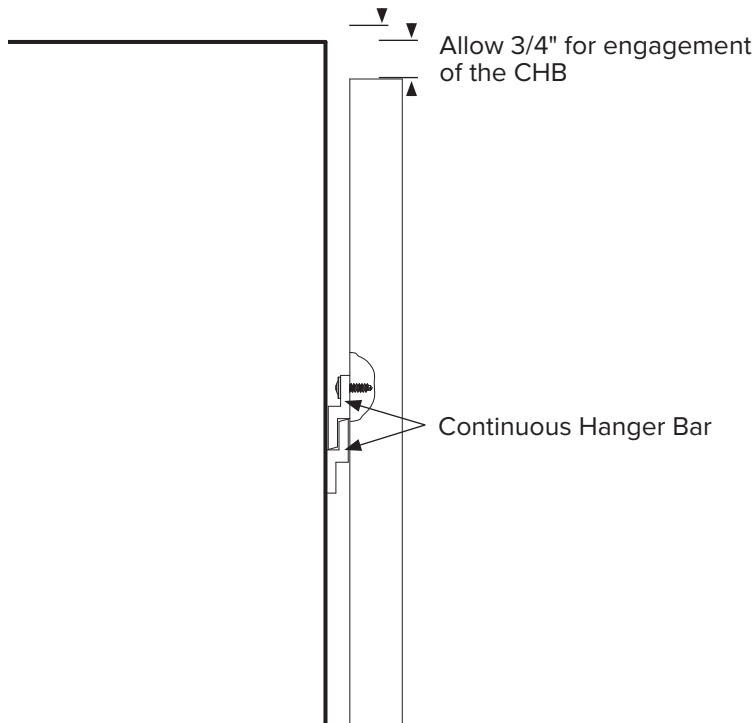
Resin Hard Spot

Melody mSCORES - Continuous Hanger Bar (CHB) Installation

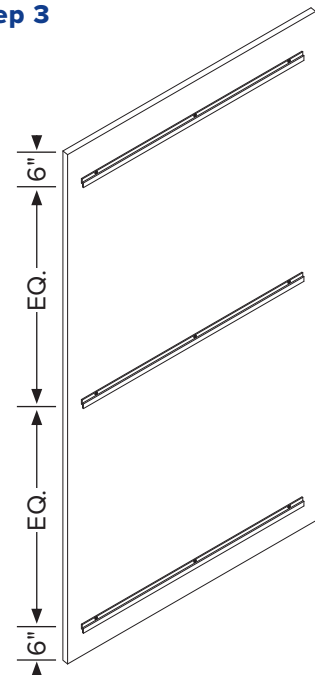
3. Install the remaining CHB to the back of the panel evenly spaced between the top and bottom bars.
4. Next transfer CHB location measurements from the back of the panel to the wall. Mark and drill holes in CHB according to stud locations and secure CHB to wall with appropriate fasteners with the open portion of the CHB facing up to receive the panel CHB. (Fasteners by others)
5. After the CHBs are mounted to the panels and wall, lift the panels in place and slide the CHBs together. All hanger bars must be fully engaged.

Note: outlets and/or cut outs in the panel may require specific adjacent additional supports and or Continuous Hanger Bars to support the panel at that cut out placement. Due to variations in thickness, some shimming may be required to align the panel edges.

Step 5



Step 3



Step 4

