

# Melody 2" mFloats & mFloats-Rap Cloud

## mCableLock Plates - Ceiling Installation

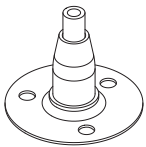
### APPLICATION:

For ceiling mounting 2" Melody mFloats and mFloats-Rap Cloud with mCableLock Plates.

### TOOLS NEEDED:

Phillips Screwdriver

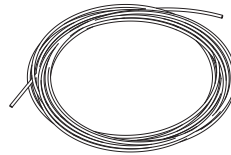
### MOUNTING HARDWARE:



mCableLock Plate



1 1/2" Pan Head  
Wall Dog Screw



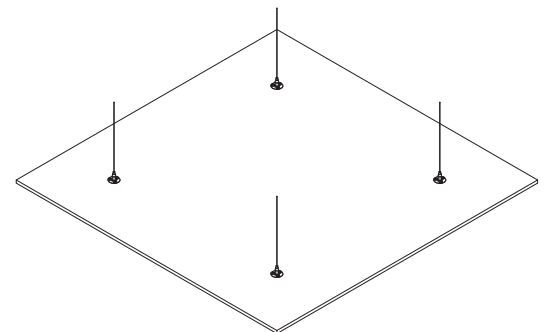
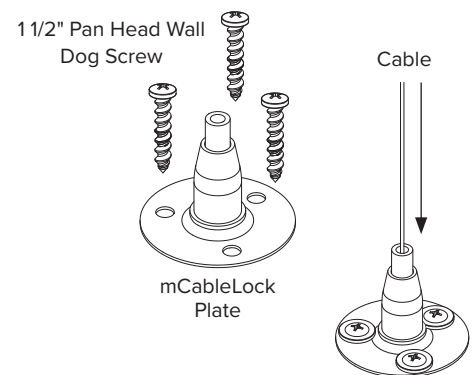
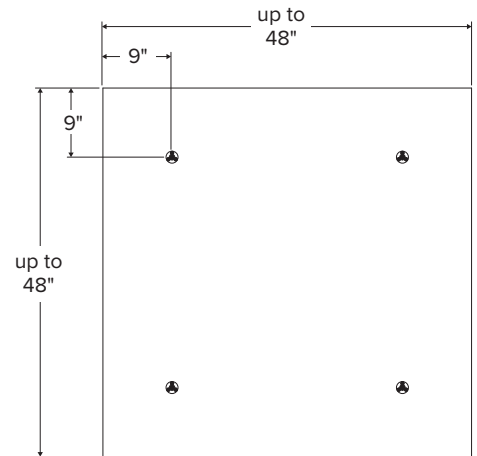
10' Cable

### INSTALLATION INSTRUCTIONS:

1. Verify receipt of correct mounting hardware, mCableLock Plate, Cable and Wall Dog Screws. **ONLY** use supplied 1 1/2" Wall Dog Screws, using incorrect screws could result in mounting failure.
2. Lay mFloat panel face down on a flat, clean surface.  
**Note: Back side of each mFloat panel should be clearly labeled. Follow the directional label on the back of the panel for installation orientation. All panels should be installed with the same orientation.**
3. Measure 9" in from each edge of panel and mark mFloat Cloud. If panel is greater than 4' long, see drawings on page 2.
4. Center mCableLock Plate on mark and install using 1 1/2" pan head wall dog screw, three per mCableLock Plate. Tighten each screw until snug. **Do not overtighten.** Repeat for all.
5. Once mCableLock Plate is secured, push 1" of cable into the top of the mCableLock Plate. The cable will automatically lock in place. To release cable, press down on the top of the mCableLock holder and pull on the cable.

**When all mCableLock Plates and cables are installed, the mFloat Cloud is ready to hang. Use appropriate fasteners and hardware to install the clouds from the structure. Remove all stickers before hanging.**

### MOUNTING DETAILS



# Melody 2" mFloats & mFloats-Rap Cloud

## mCableLock Plates - Ceiling Installation

### HANDLING AND STORAGE

Melody panels must be stored indoors in a dry, climate controlled environment at all times. Exposure to moisture, excessive heat or humidity can cause panels to warp and/or stain.

Panels should be stored in a flat, fully supported, horizontal position and NOT on edge. It is recommended that 2 people carry each panel. Panel should be carried on edge, being careful not to bend panel at any time. Clean white gloves are also recommended when handling Melody panels.

