

# aCapella VERSE - Baffles

## Continuous Grip5 (CG5) with CableLock - Ceiling Installation

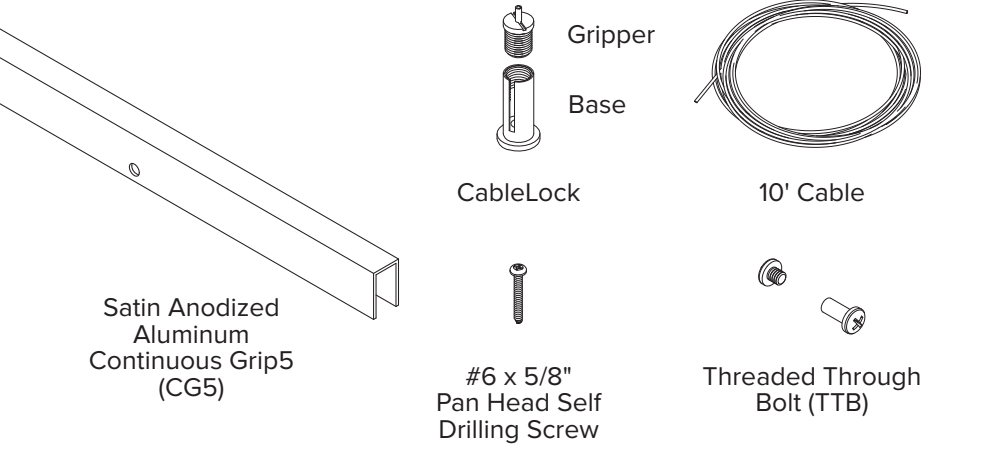
### APPLICATION:

For ceiling mounting aCapella Verse Baffles using Satin Anodized Aluminum Continuous Grip5 (CG5) with CableLock and Cable.

### TOOLS NEEDED:

Drill, 5/16" Spade Drill Bit, (2) Phillips Screwdrivers

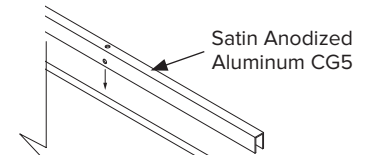
### MOUNTING HARDWARE:



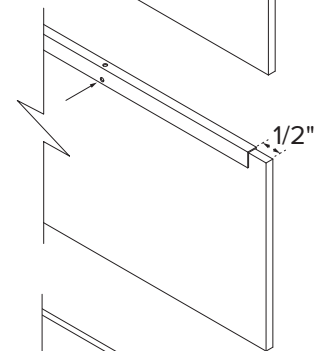
### INSTALLATION INSTRUCTIONS:

1. Each Verse Baffle requires one (1) CG5.
2. Center CG5 on the baffle then locate the holes on the side of the CG5 and mark the Verse Baffles through the holes. CG5 should stop 1/2" from each edge of baffle, see Step 2.
3. Remove the CG5 and drill two (2) 5/16" holes. Repeat for all remaining Verse Baffles.
4. Slide the CG5 onto the Verse Baffles and attach using the Threaded Through Bolts. **Ensure all Verse Baffles' fronts are facing the same direction.** Hand tighten with a Phillips screwdrivers. Repeat for all.

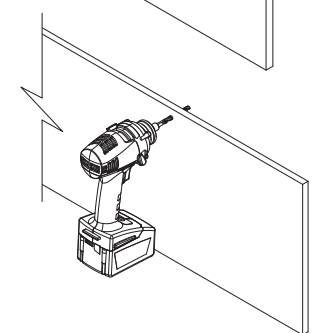
### Step 1



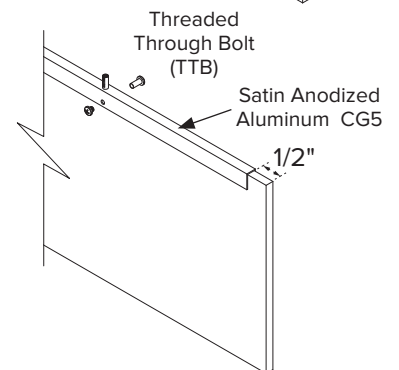
### Step 2



### Step 3



### Step 4



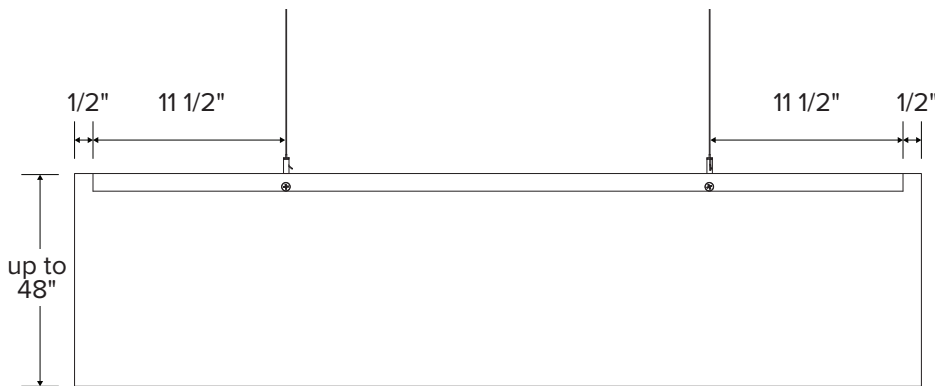
# aCapella VERSE - Baffles

## Continuous Grip5 (CG5) with CableLock - Ceiling Installation

### INSTALLATION INSTRUCTIONS:

5. Insert a #6 x 5/8" pan head self-drilling screw into each CableLock base and screw into pre-drilled holes in the center of the CG5 located above the Threaded Through Bolt. Tighten to snug. See steps 5-7.
6. Screw the gripper into the top of each CableLock. Tighten by hand to snug. See steps 5-7.
7. Insert the cable into the top of each CableLock gripper, leaving 1" of cable hanging out of the CableLock. The cable will automatically lock in place. To release cable, press down on the top of the CableLock gripper and pull on the cable. See steps 5-7.
8. Repeat this process until all baffles have one (1) CG5 with Threaded Through Bolts, CableLocks and cable fully installed.

**The Verse Baffle is now ready to hang. Use appropriate fasteners and hardware to install the baffles from the structure. Remove all stickers before hanging.**



### Step 5-7

