

CEILING MOUNTING: CLOUDS TCI-HS WITH T-GRID FOR 1"-2" CLOUDS

APPLICATION

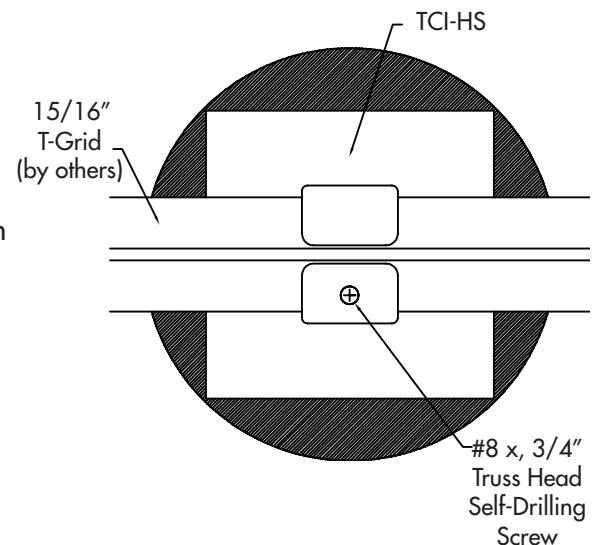
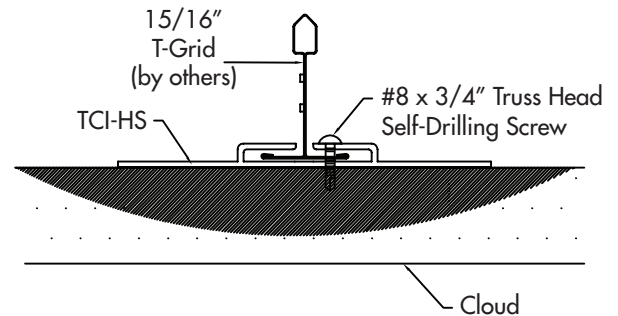
For ceiling mounting 1"-2" fiberglass acoustical Clouds with TCI-HS and T-Grid (15/16", by others). The following is supplied by G&S for this mounting: TCI-HS brackets and #8 x 3/4" truss head self-drilling screws for each clip.

DESCRIPTION

This installation uses TCI-HS brackets, factory installed with resin spots and T-Grid (supplied by others). Installation is as follows:

1. Determine the orientation of the TCI-HS locations on the back of each Cloud.
2. Slide the T-Grid through all the TCI-HS locations in that row. Make sure a single piece of T-Grid is used. See the attached standard location sheet.
3. Install #8 x 3/4" truss head self-drilling screws through TCI-HS into T-Grid to prevent the Cloud from sliding, as shown on the details.
4. Secure T-Grid to appropriate structure with wire or cable (supplied by others). Use at least four hanging points.

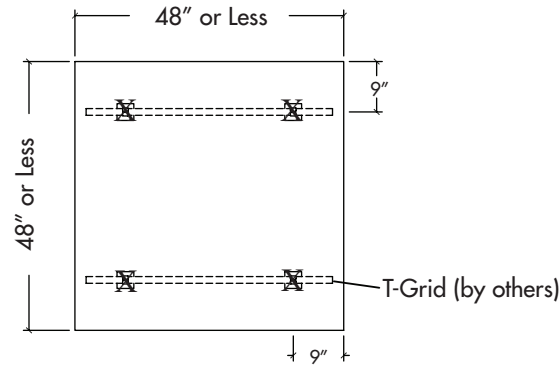
MOUNTING DETAILS



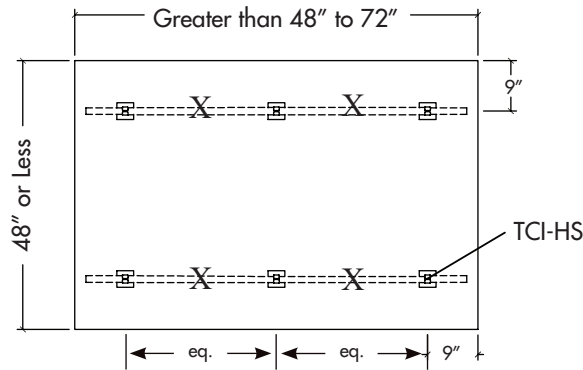
Controlling Sound Beautifully

STANDARD LOCATIONS FOR CEILING MOUNTING: CLOUDS - 1''-2'' TCI-HS AND T-GRID

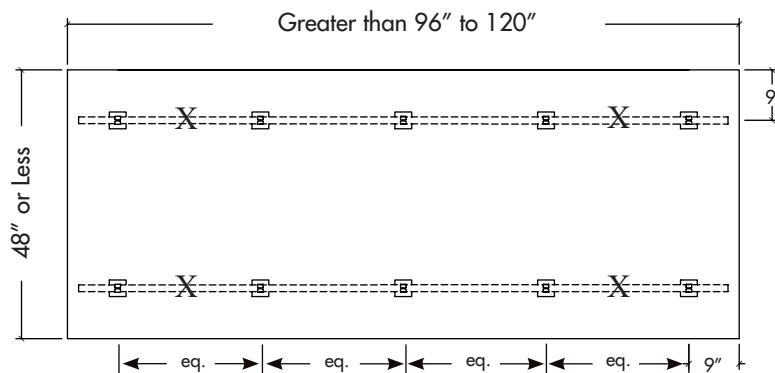
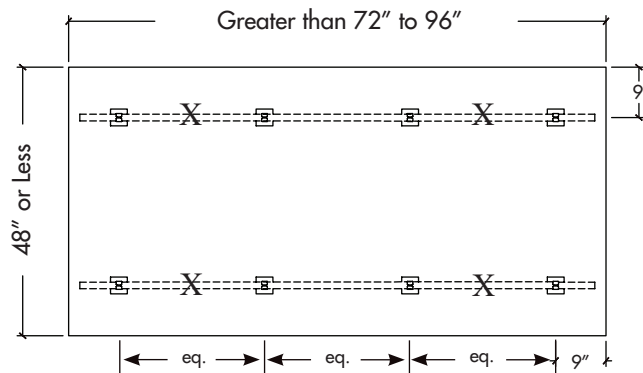
Note: Over 4' in both dimensions add 3rd row of spots at center of each panel.



Note: These are standard locations. If your installation requires custom fastener locations, please note this on the shop drawings.



X = Hanging points, should be between two TCI-HS clips, unless shown otherwise.



Controlling Sound Beautifully