

# CEILING MOUNTING: CLOUDS D-RING FOR 3''-4'' CLOUDS

## APPLICATION

For ceiling mounting 3''-4'' fiberglass acoustical Clouds with fastening plate and D-Ring.

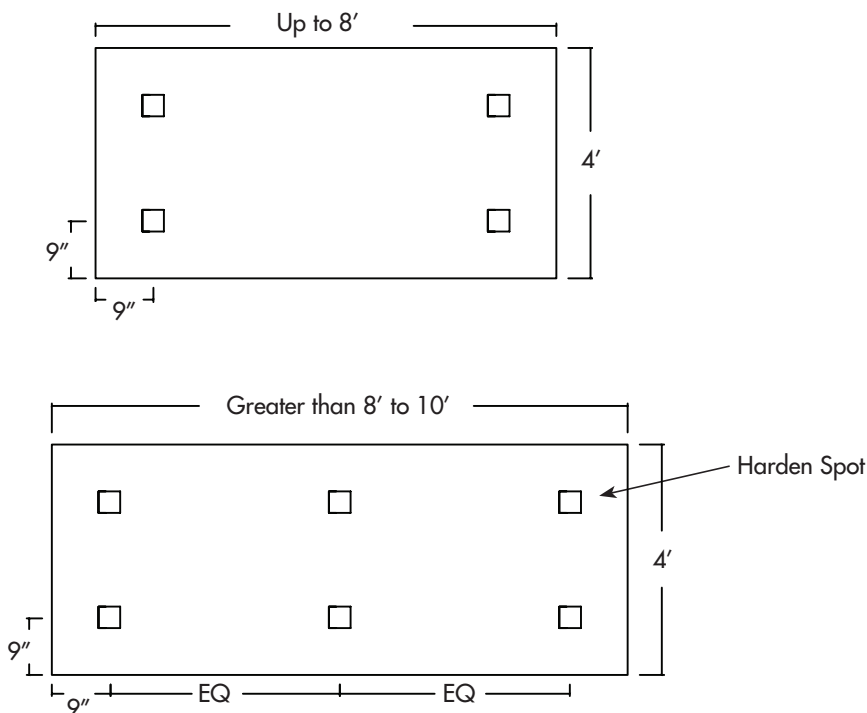
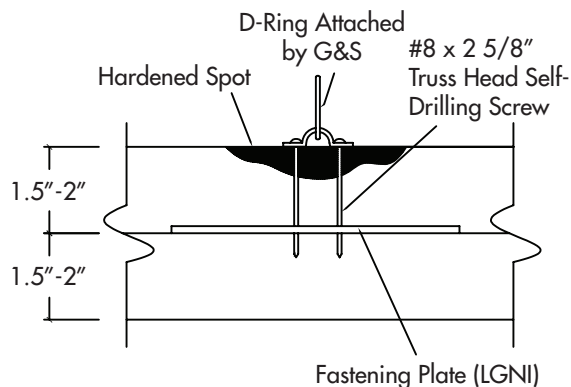
## DESCRIPTION

This installation technique uses a D-Ring, factory installed with resin spots and mechanical fasteners to an imbedded fastening plate (LGNI), to hang single units individually. Installation is as follows:

1. Using 1/8'' aircraft cable or other suitable hanging material, secure one end to D-Ring (hanging cable or other material by others).
2. Hang Clouds from each attachment point. Secure other end to appropriate structure above (structure by others).
3. Mounting locations can vary according to custom sizes.

## MOUNTING DETAIL

### Elevation



Note: Less than 3'-6'' in either direction will require a custom layout.

*Controlling Sound Beautifully*