

# CEILING MOUNTING: CONTINUOUS HANGER BAR (CHB) WITH CHB, 1"-2" PANELS, WITH SGNI PLATE



## APPLICATION

Mounting 1"-2" thick fiberglass acoustical panels to ceilings.

## DESCRIPTION

This installation technique uses a metal plate (SGNI) with a continuous hanger bar (CHB48S) screwed to the SGNI plate by others and a continuous hanger bar (CHB48S) screwed to the ceiling (by others). Engagement requires 3/4" of space. Installation is as follows:

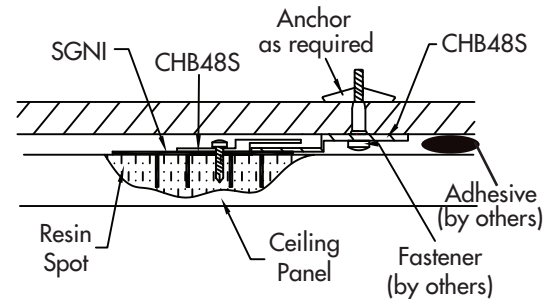
1. Use the #8 x 3/4" truss head self-drilling screws (by G&S) to attach the CHB48S to the SGNI plates. **See Detail 1.**
2. Locate installation points of the CHB48S on the ceiling by measuring the locations of the CHB48S on the back of the panel. Install CHB48S to the ceiling with appropriate fasteners (by others). Allow 3/4" engagement.
3. Use any heavy-bodied, water-based adhesive, placed in "egg-sized" dabs 24" on center on the back of the panel to make sure the panel does not slide off the clip. Do not apply adhesive to the continuous hanger bars. Adhesive is supplied by others.
4. Lift the panel in place and slide the clips together. All hanger bars must be fully engaged.
5. There are two Safety Clips for each panel. Install both clips, each 6" from the edge of the panel to hold the panel on the continuous hanger bars. They should be installed tight to the end of the panel. Mounting screws by others. **See "Side View" Detail and Drawings 1 and 2.**
6. There are two Corner Clips supplied for every ceiling panel. **See Detail 2.** If the ceiling panels are mounted individually install the Corner Clips at opposite corners tightly to each corner of the panel. **See Drawing 1.** If the panels are installed as a group, put a Corner Clip tightly to each outside corner of the group. **See Drawing 2.** Use appropriate anchors and screws (by others) to fasten the Corner Clips.

**Note:** Due to variations in fiberglass thickness, some shimming may be required to align the panel edges.

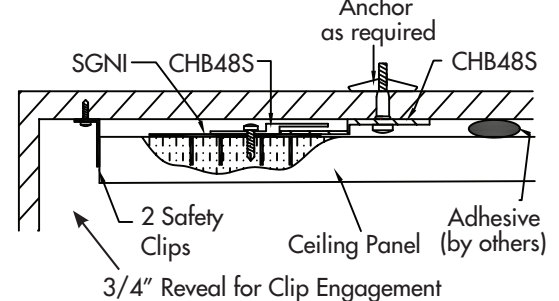
*Controlling Sound Beautifully*

## MOUNTING DETAIL

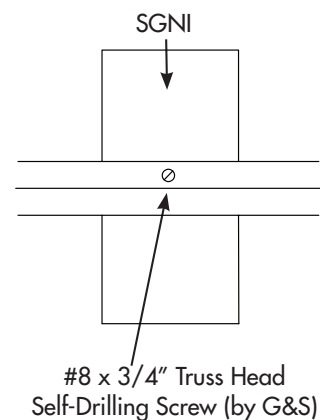
### Elevation



### Side View

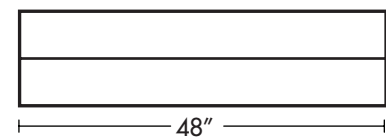


## DETAIL 1

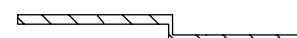


## CHB48S

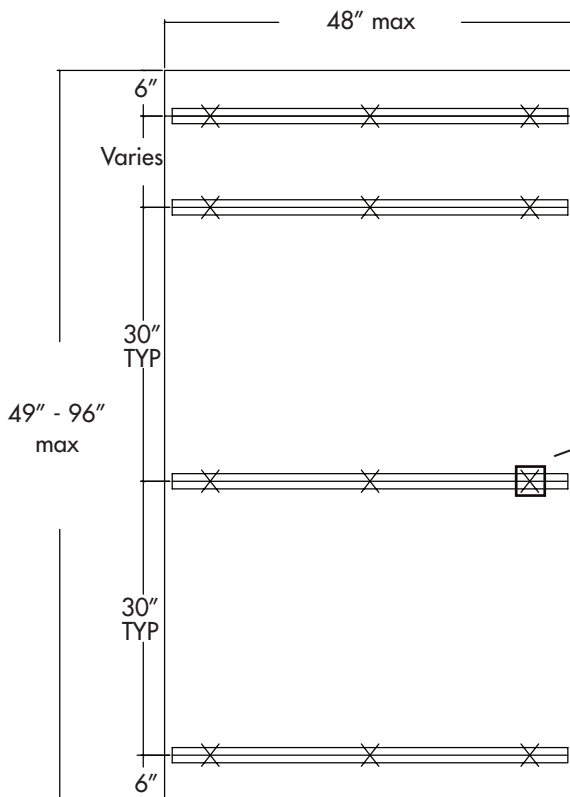
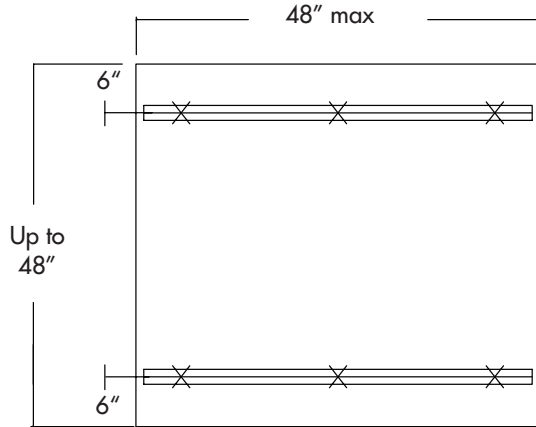
### Elevation



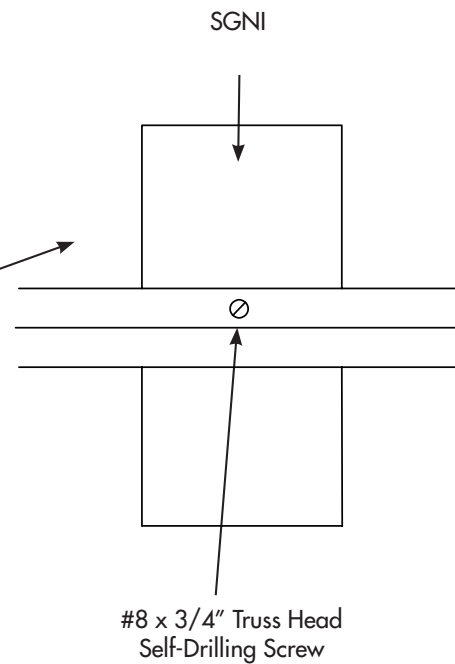
### Side View



# CEILING MOUNTING: CONTINUOUS HANGER BAR (CHB) WITH CHB, 1''-2'' PANELS, WITH SGNi PLATE

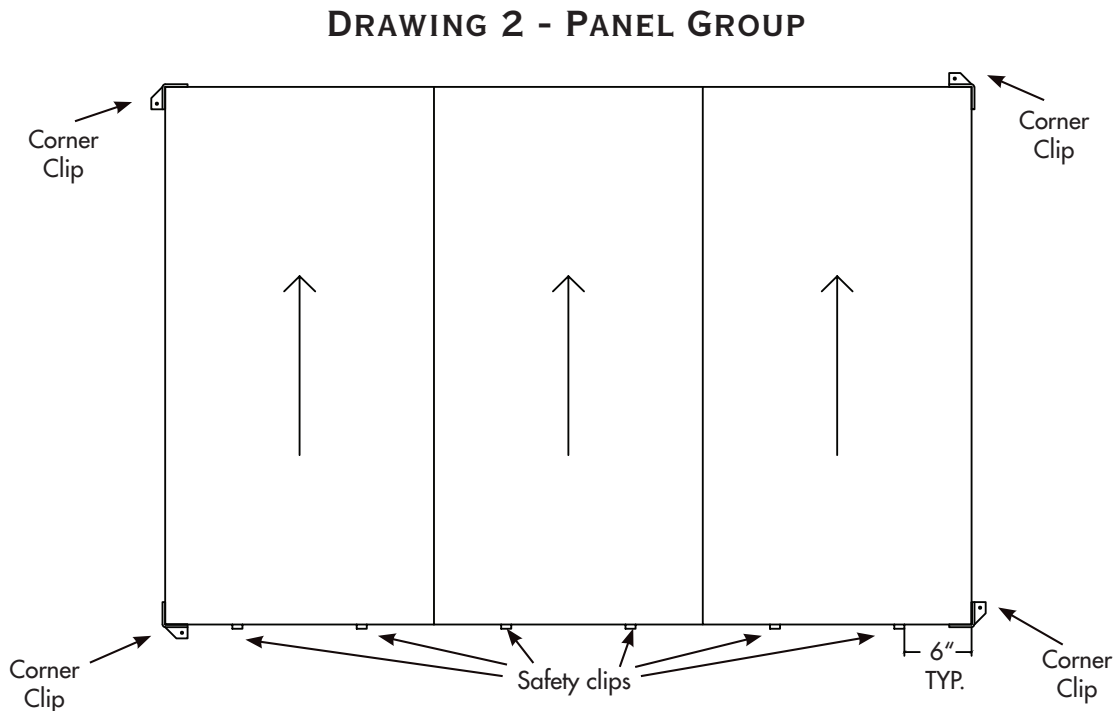
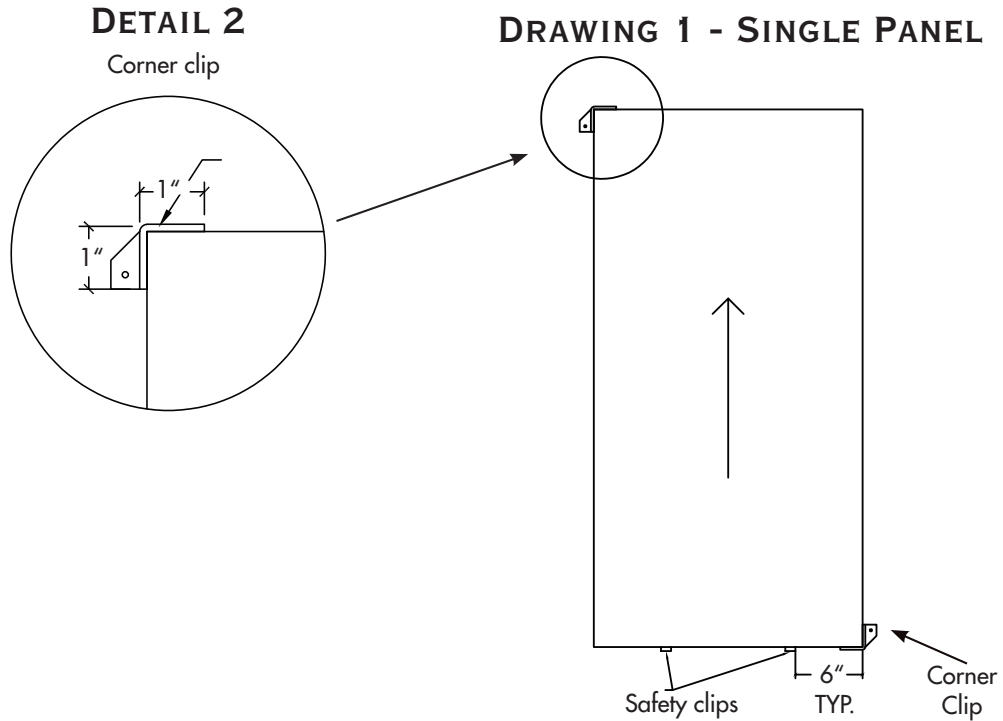


## DETAIL 1



*Controlling Sound Beautifully*

# CEILING MOUNTING: CONTINUOUS HANGER BAR (CHB) WITH CHB, 1"-2" PANELS, WITH SGN1 PLATE



*Controlling Sound Beautifully*