

# aCapella VERSE - Baffles

## Grip5 with CableLock - Ceiling Installation

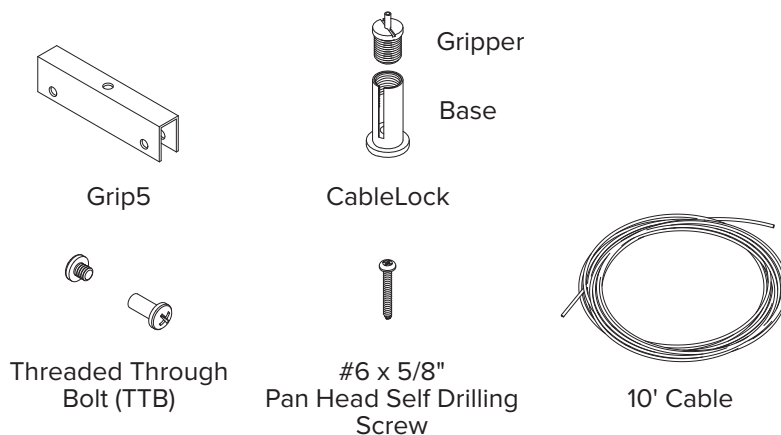
### APPLICATION:

For ceiling mounting aCapella Verse Baffles using Grip5 with CableLock and Cable.

### TOOLS NEEDED:

Drill, 5/16" Spade Drill Bit, (2) Phillips Screwdrivers

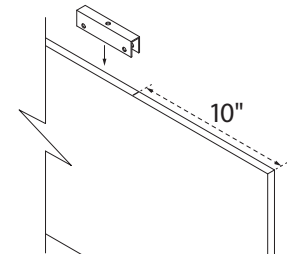
### MOUNTING HARDWARE:



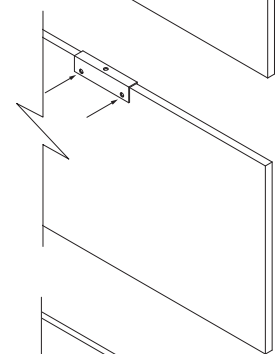
### INSTALLATION INSTRUCTIONS:

1. Each Verse Baffle requires two (2) Grip5s. Units over 72" require a third Grip5 in the center. Measure 10" from the top corner and mark. Measure and locate center of baffle if unit is over 72".
2. Align one edge of the Grip5 on the 10" mark then locate the holes on the side of the Grip5, and mark the Verse Baffles through the holes. Mark location of center Grip5 if required.
3. Remove the Grip5 and drill two (2) 5/16" holes. Repeat on the opposite top corner and for all remaining Verse Baffles.
4. Slide the Grip5s onto Verse Baffles and attach using the Threaded Through Bolts. **Ensure all Verse Baffles' fronts are facing the same direction.** Hand tighten with Phillips screwdrivers. Repeat for all.

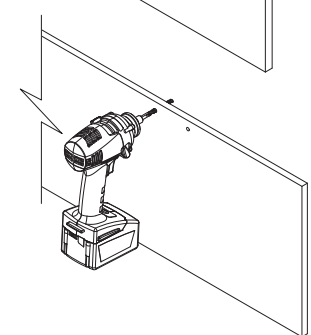
### Step 1



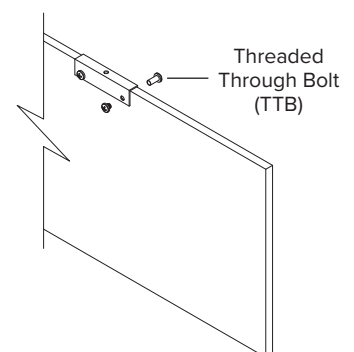
### Step 2



### Step 3



### Step 4



# aCapella VERSE - Baffles

## Grip5 with CableLock - Ceiling Installation

### INSTALLATION INSTRUCTIONS:

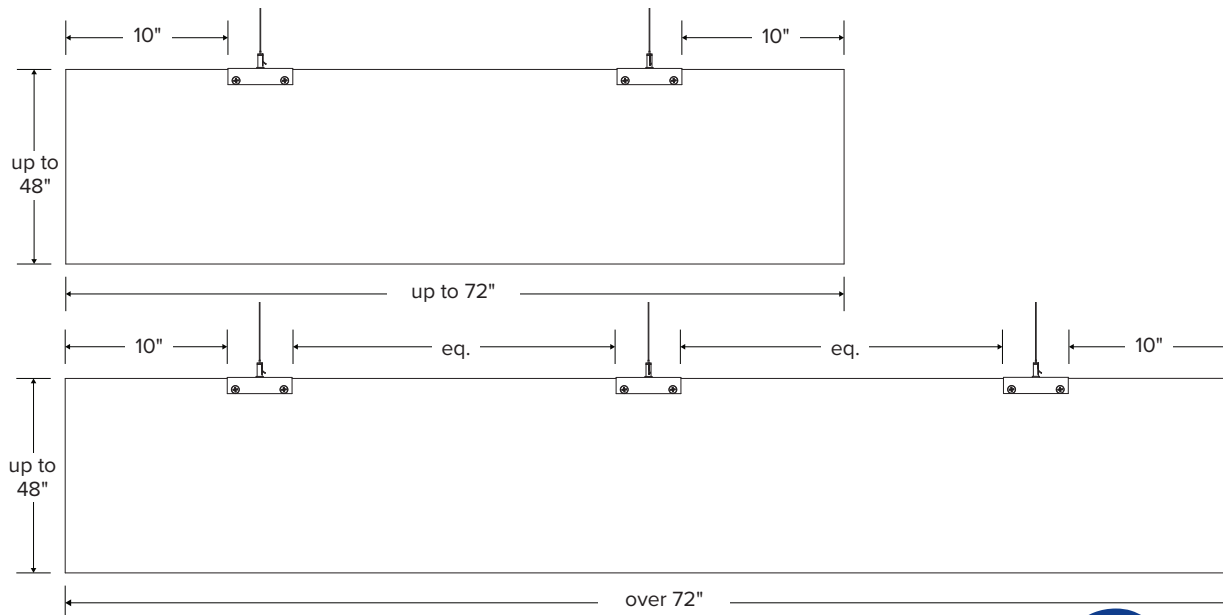
5. Insert a #6 x 5/8" pan head self-drilling screw into each CableLock base and screw into pre-drilled holes in the center of the Grip5s. Tighten to snug.
6. Screw the gripper into the top of each CableLock. Tighten by hand to snug.
7. Insert the cable into the top of each CableLock gripper, leaving 1" of cable hanging out of the CableLock. The cable will automatically lock in place. To release cable, press down on the top of the CableLock gripper and pull on the cable.
8. Repeat this process until all baffles have two (2) Grip5s with Threaded Through Bolts, CableLocks and cable fully installed. Install three Grip5s if unit is over 72".

**The Verse Baffle is now ready to hang. Use appropriate fasteners and hardware to install the baffles from the structure. All cables from Verse baffle must be hung plumb and all mounting points in-line, failure to do so can cause baffle to curve or bend. Remove all stickers before hanging.**

### HANDLING AND STORAGE

aCapella panels must be stored indoors in a dry, climate controlled environment at all times. Exposure to moisture, excessive heat or humidity can cause panels to warp and/or stain.

Panels should be stored in a flat, fully supported, horizontal position and NOT on edge. It is recommended that 2 people carry each panel. Panel should be carried on edge, being careful not to bend panel at any time. Clean white gloves are also recommended when handling aCapella panels.



### Step 5-7

