

Melody mScores, mScores-Rap, mScores-Canvas, mScores-Felt & mScores-Image Wall Panels

AM-Clip with Adhesive - Wall Installation

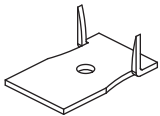
APPLICATION:

For wall mounting Melody mScores, mScores-Rap, mScores-Canvas and mScores-Image with adhesive and AM-Clips on painted or primed drywall.

TOOLS NEEDED:

Heavy Bodied Water-Based Adhesive (Henry 440 or equal), Utility Knife, Straight Edge, Drill

MOUNTING HARDWARE:



AM-Clip

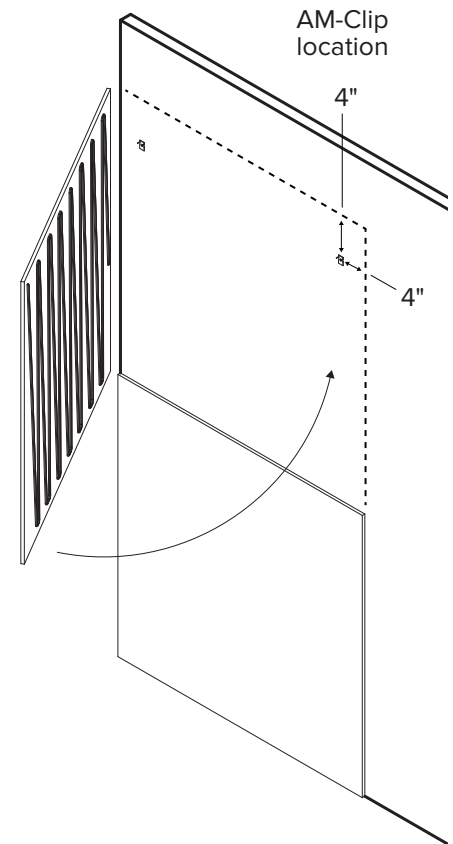
(Fasteners to attach AM-Clip to wall by others)

INSTALLATION INSTRUCTIONS:

1. Determine mScore panel placement on wall. Install two (2) AM-Clips for each mScore with fasteners (by others) to the wall. AM Clips should be spaced 4" down from the top of the panel and 4" in from the edge. AM-Clips are designed to hold panel in place while the adhesive dries.
Caution: AM-Clip points are sharp.
2. Lay the mScore panel face down on a flat, clean surface.
Note: Back side of each mScore panel should be clearly labeled. Follow the directional label on the back of the panel for installation orientation. All panels should be installed with the same orientation.
3. Apply a 1/4" bead of heavy bodied water-based adhesive to the back of each mScore panel in a zig zag pattern as shown below. Cover the entire wall panel, keeping adhesive 1/2" away from each edge.
4. Being careful not to touch the adhesive, lift the mScore panels in place. Apply panel to the wall, pressing firmly on the front face of the panel to engage the adhesive and AM-Clips.

MOUNTING DETAILS

Step 1



Melody

Melody mScores, mScores-Rap, mScores-Canvas & mScores-Image Wall Panels

AM-Clip with Adhesive - Wall Installation

5. To ensure the mScore panels are evenly secured, apply pressure with hands moving them from center to outer edge of each wall panel.
6. Use a straight edge and utility knife to cut mScore panels to fit around odd angles, lights and other penetrations.

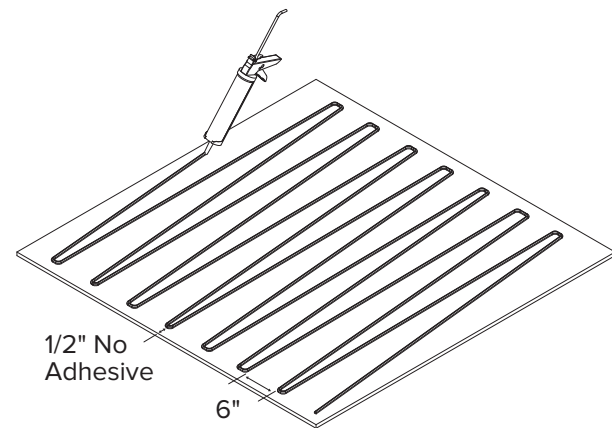
HANDLING AND STORAGE

Melody panels must be stored indoors in a dry, climate controlled environment at all times. Exposure to moisture, excessive heat or humidity can cause panels to warp and/or stain.

Panels should be stored in a flat, fully supported, horizontal position and NOT on edge. It is recommended that 2 people carry each panel. Panel should be carried on edge, being careful not to bend panel at any time. Clean white gloves are also recommended when handling Melody panels.

MOUNTING DETAILS

Step 3



Ribbon Pattern or Zig Zag Pattern
with Perimeter Bead on back of panel