

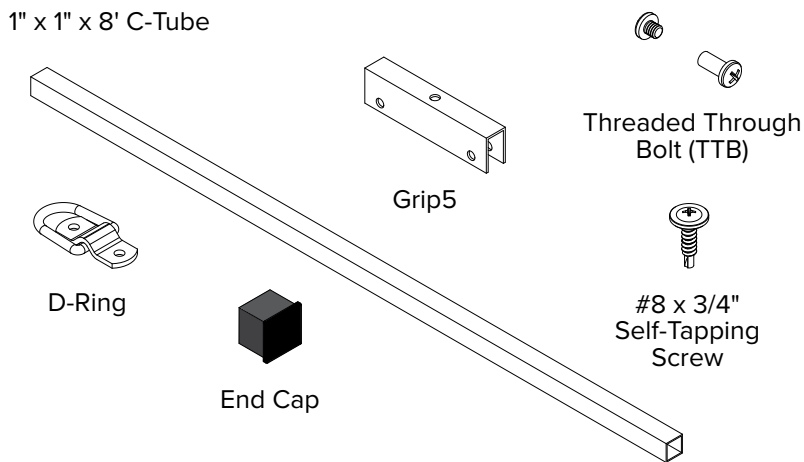
aCapella CHORUS - Baffles

D-Ring with C-Tube - Ceiling Installation

TOOLS NEEDED:

Drill, 5/16" Spade Drill Bit, (2) Phillips Screwdrivers, Metal Saw

MOUNTING HARDWARE:

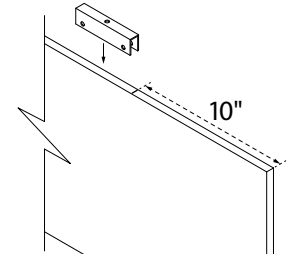


*Additional Mounting Hardware (by others):
Chain or cable to hang Chorus Baffles groups*

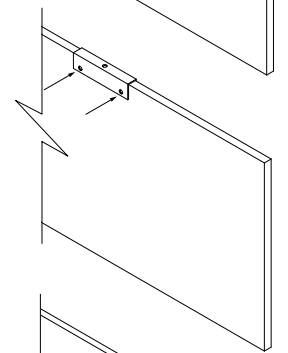
INSTALLATION INSTRUCTIONS:

1. Each Chorus Baffle requires two (2) Grip5s. Units over 72" require a third Grip5. Measure 10" from the top corner and mark. Measure and locate center of baffle if unit is over 72".
2. Align one edge of the Grip5 on the 10" mark then locate the holes on the side of the Grip5 and mark the Chorus Baffle through the holes. Mark location of center Grip5 if required.
3. Remove the Grip5 and drill two (2) 5/16" holes. Repeat on the opposite top corner and for all remaining Chorus Baffles.
4. Cut the C-Tubes to desired length. A center C-tube is required for baffles over 72"w.
5. Measure 1" in from the end and mark. Measure and mark additional Grip5s a minimum of 3" apart. Align the Grip5 so it is centered left and right as well as perpendicular to the C-Tube. Use one (1) of the #8 x 3/4" Self-Tapping Screws to fasten the Grip5 to the C-Tube. Repeat to fasten remaining Grip5s. **Do not overtighten.**

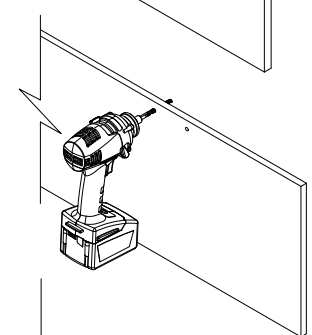
Step 1



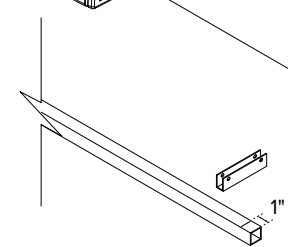
Step 2



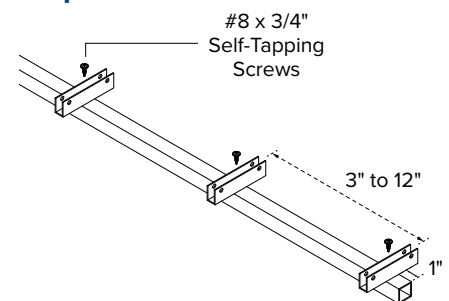
Step 3



Step 4



Step 5



aCapella CHORUS - Baffles D-Ring with C-Tube - Ceiling Installation

INSTALLATION INSTRUCTIONS:

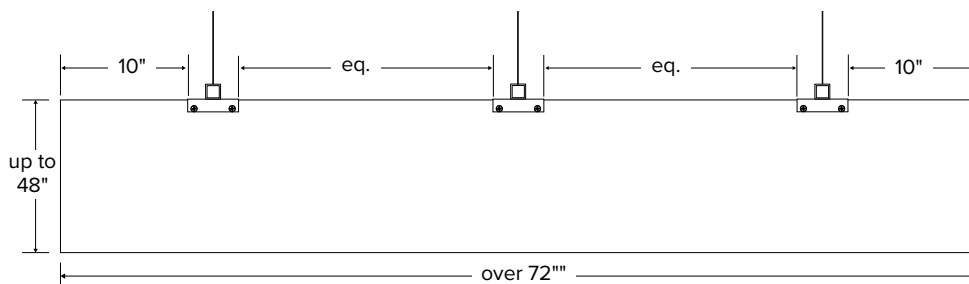
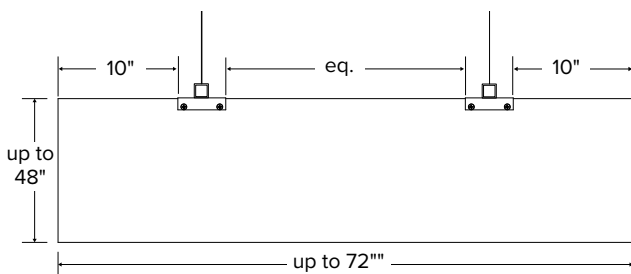
- Place Chorus Baffles in the Grip5s and attach using the Threaded Through Bolts. **Ensure all Chorus Baffles' fronts are facing the same direction.** Hand tighten Threaded Through Bolt with Phillips screwdrivers. Repeat for all.
- Once all Chorus Baffles are attached, turn over the group and set it on the Chorus Baffles. Locate placement of D-Rings on the C-Tube (D-Ring placement is dependent upon the installation site). Two (2) D-Rings are required on each C-Tube including (2) D-Rings for center C-Tube if required. Use two (2) of the #8 x 3/4" Self-Tapping Screws to fasten the D-Ring to the C-Tube. Repeat to fasten remaining D-Rings. Insert end caps into C-Tubes.

The grouped Chorus Baffles are now ready to hang. Use appropriate fasteners and hardware to install the baffles from the structure. Remove all stickers before hanging.

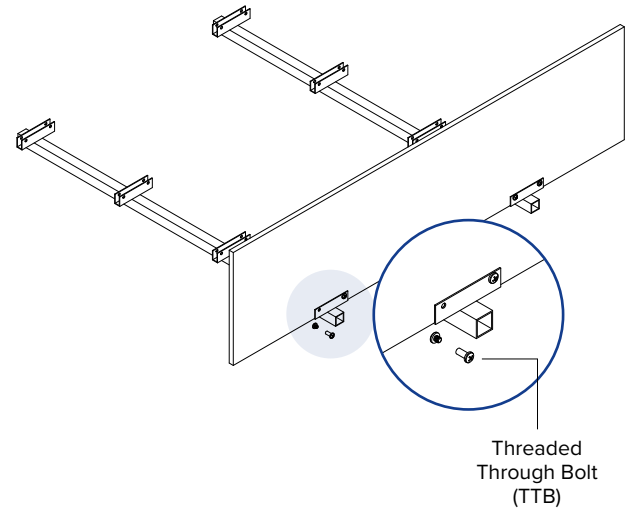
HANDLING AND STORAGE

aCapella panels must be stored indoors in a dry, climate controlled environment at all times. Exposure to moisture, excessive heat or humidity can cause panels to warp and/or stain.

Panels should be stored in a flat, fully supported, horizontal position and NOT on edge. It is recommended that 2 people carry each panel. Panel should be carried on edge, being careful not to bend panel at any time. Clean white gloves are also recommended when handling aCapella panels.



Step 6



Step 7

