

aCapella VERTICAL - Baffles

Top Clamp - Ceiling Installation

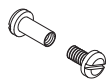
APPLICATION:

For ceiling mounting aCapella Vertical Baffles using Top Clamps.

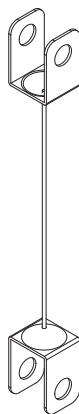
TOOLS NEEDED:

Drill, 5/16" Spade Drill Bit, (1) Slotted Screwdriver

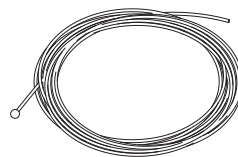
MOUNTING HARDWARE:



Threaded Through Bolt (TTB)



3" Double Sided Top Clamp

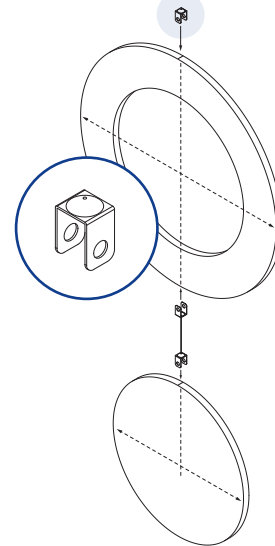


10' Cable with Swage

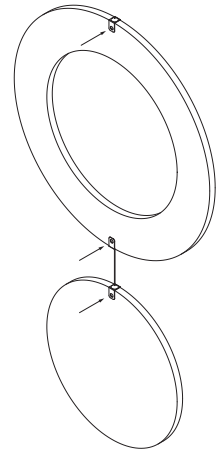
INSTALLATION INSTRUCTIONS:

1. Each Vertical Baffle requires at least one (1) Top Clamp (rectangle/square units over 24" wide require two (2) Top Clamps). See page 2. Locate the center top and mark. If installing multiple Vertical Baffles on one unit, locate center top and bottom of each.
2. Align the hole of the Top Clamp on the center line and mark the Vertical Baffles through the hole.
3. Remove the Top Clamp and drill one (1) 5/16" hole. Repeat for all remaining Vertical Baffles. If installing multiple Vertical Baffles on one unit, drill one (1) 5/16" hole on the top and bottom of each. Maximum of 6 Vertical Baffles on one unit.
4. Insert the cable up through the top hole in each Top Clamp. Pull cable through Top Clamp until the swage sits snug inside the Top Clamp.
5. Slide the Top Clamp onto each Vertical Baffle, aligning Top Clamp hole with 5/16" pre-drilled holes in baffles. Attach using the Threaded Through Bolts. **Ensure all Vertical Baffles' fronts are facing the same direction. Follow the directional label on the back of the panel for installation orientation. All panels should be installed with the same orientation.** Hand tighten with slotted screwdriver. Repeat for all.

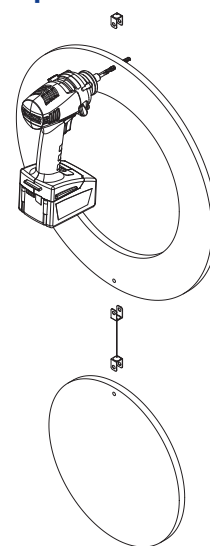
Step 1



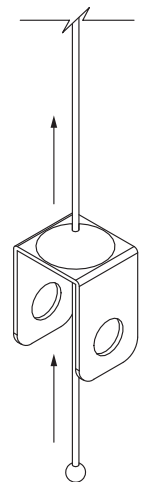
Step 2



Step 3



Step 4



aCapella VERTICAL - Baffles

Top Clamp - Ceiling Installation

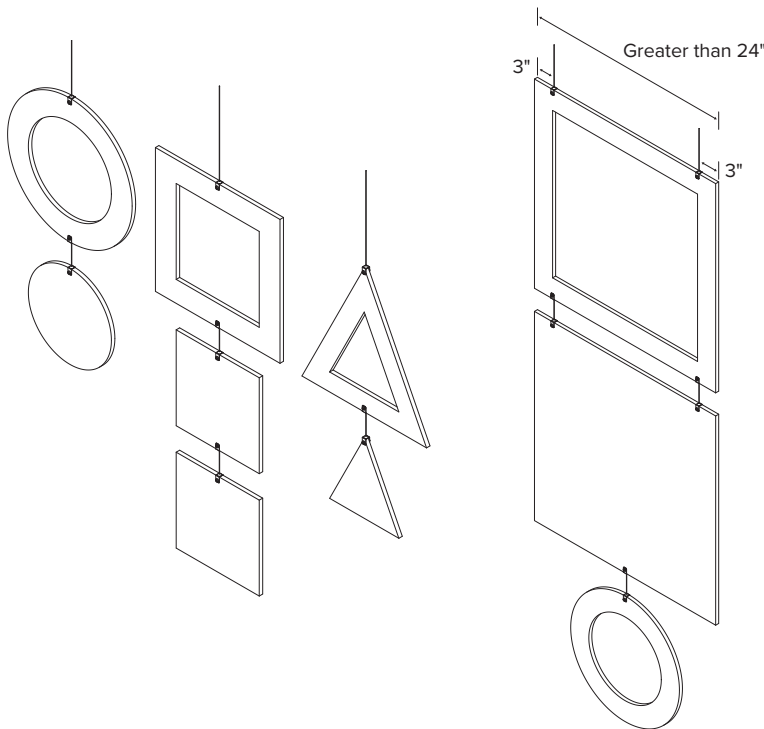
- To install additional Vertical Baffles on a single unit, use the Double Sided Top Clamp. Slide one side of the Double Sided Top Clamp onto the bottom of the upper Vertical Baffles, aligning Top Clamp hole with 5/16" pre-drilled holes in baffles. Attach using the Threaded Through Bolts. **Ensure all Vertical Baffles' fronts are facing the same direction.** Hand tighten with slotted screwdriver. Repeat for all.
- Slide the opposite side of the Double Sided Top Clamp onto the top of the lower Vertical Baffles, aligning Top Clamp hole with 5/16" pre-drilled holes in baffles. Attach using the Threaded Through Bolts. **Ensure all Vertical Baffles' fronts are facing the same direction.** Hand tighten with slotted screwdriver. Repeat for all.

The Vertical Baffles are now ready to hang. Use appropriate fasteners and hardware to install the baffles from the structure. Remove all stickers before hanging.

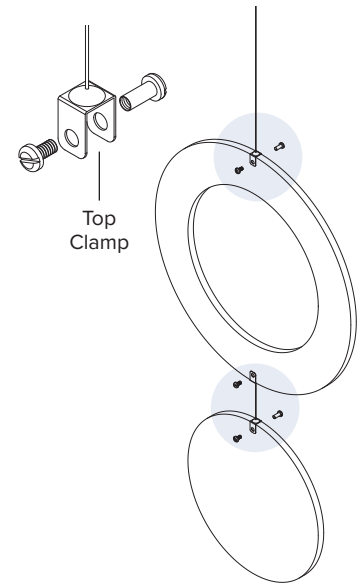
HANDLING AND STORAGE

aCapella panels must be stored indoors in a dry, climate controlled environment at all times. Exposure to moisture, excessive heat or humidity can cause panels to warp and/or stain.

Panels should be stored in a flat, fully supported, horizontal position and NOT on edge. It is recommended that 2 people carry each panel. Panel should be carried on edge, being careful not to bend panel at any time. Clean white gloves are also recommended when handling aCapella panels.



Step 5



Step 6

