

# aCapella PartiTions

## Top Clamp - Ceiling Installation

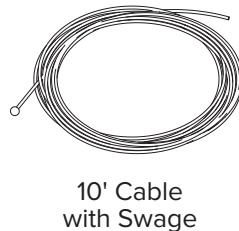
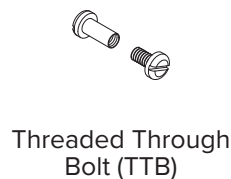
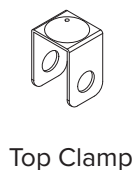
### APPLICATION:

For ceiling mounting aCapella PartiTions using a Top Clamp.

### TOOLS NEEDED:

Drill, 5/16" Spade Drill Bit, (1) Slotted Screwdriver

### MOUNTING HARDWARE:



### INSTALLATION INSTRUCTIONS:

1. Each PartiTion requires two (2) Top Clamps. Measure 6" from the top corner and mark.
2. Align one edge or center of the Top Clamp on the 6" mark then locate the holes on the side of the Top Clamp and mark the PartiTion through the holes.
3. Remove the Top Clamp and drill one (1) 5/16" hole. Repeat on the opposite top corner and for all remaining PartiTions.
4. Insert the cable up through the top hole in each Top Clamp. Pull cable through Top Clamp until the swage sits snug inside Top Clamp.
5. Slide Top Clamp onto PartiTion, aligning Top Clamp hole with 5/16" pre-drilled holes in PartiTion. Attach using the Threaded Through Bolts. **Ensure all PartiTions' fronts are facing the same direction.** Hand tighten with slotted screwdriver. Repeat for all.

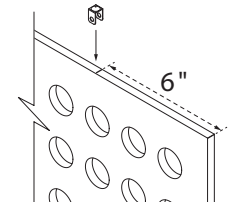
**The PartiTions are now ready to hang. Use appropriate fasteners and hardware to install the PartiTions from the structure. Remove all stickers**

### HANDLING AND STORAGE

aCapella panels must be stored indoors in a dry, climate controlled environment at all times. Exposure to moisture, excessive heat or humidity can cause panels to warp and/or stain.

Panels should be stored in a flat, fully supported, horizontal position and NOT on edge. It is recommended that 2 people carry each panel. Panel should be carried on edge, being careful not to bend panel at any time. Clean white gloves are also recommended when handling aCapella panels.

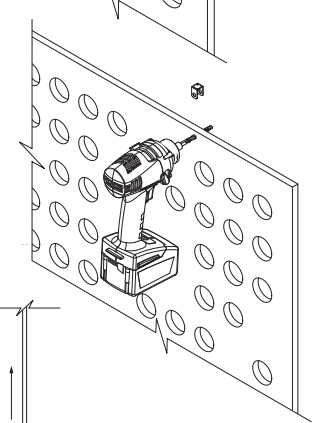
### Step 1



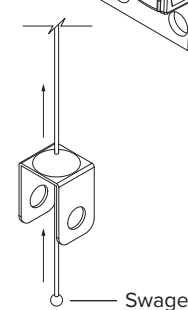
### Step 2



### Step 3



### Step 4



### Step 5

