

Melody mVerse Baffles

mTop Clamp - Ceiling Installation

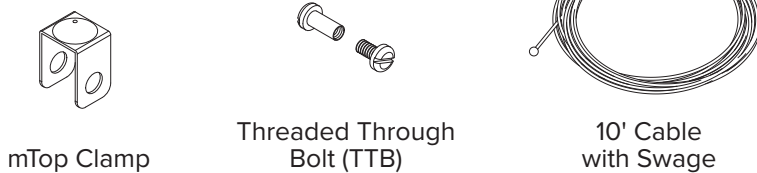
APPLICATION:

For ceiling mounting Melody mVerse Baffles using a mTop Clamp.

TOOLS NEEDED:

Drill, 5/16" Spade Drill Bit, (1) Slotted Screwdriver

MOUNTING HARDWARE:



INSTALLATION INSTRUCTIONS:

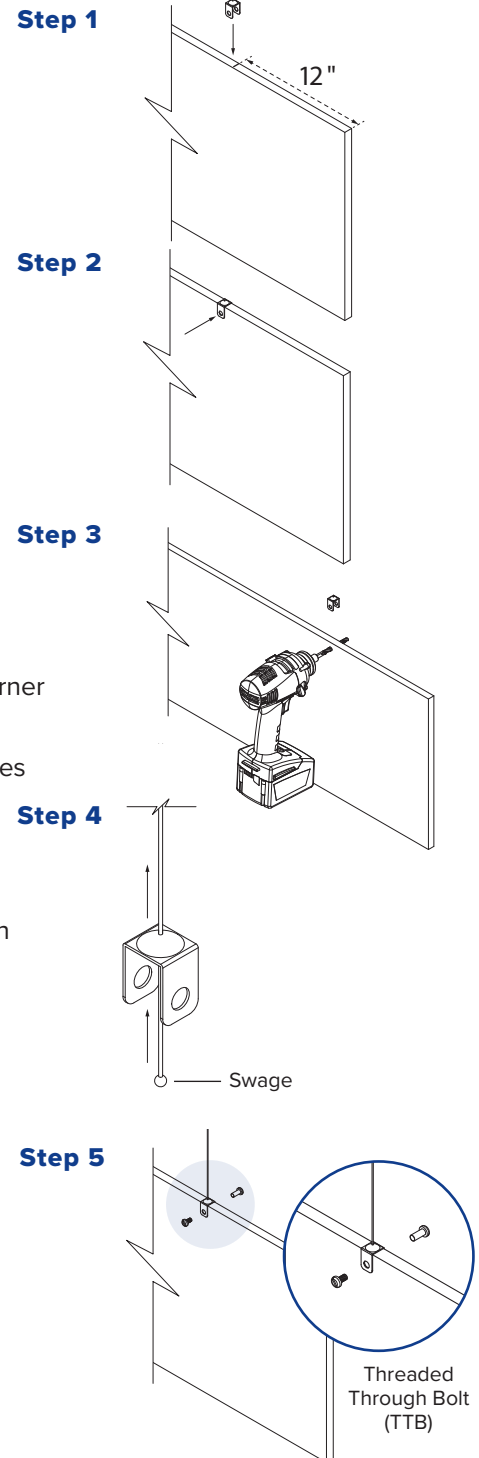
1. Each mVerse Baffle requires two (2) mTop Clamps. Measure 12" from the top corner and mark.
2. Align one edge or center of the mTop Clamp on the 12" mark then locate the holes on the side of the mTop Clamp and mark the mVerse Baffles through the holes.
3. Remove the mTop Clamp and drill one (1) 5/16" hole. Repeat on the opposite top corner and for all remaining mVerse Baffles.
4. Insert the cable up through the top hole in each mTop Clamp. Pull cable through mTop Clamp until the swage sits snug inside mTop Clamp.
5. Slide mTop Clamp onto mVerse Baffles, aligning mTop Clamp hole with 5/16" pre-drilled holes in baffles. Attach using the Threaded Through Bolts. **Ensure all mVerse Baffles' fronts are facing the same direction.** Hand tighten with slotted screwdriver. Repeat for all.

The mVerse Baffles are now ready to hang. Use appropriate fasteners and hardware to install the baffles from the structure. Remove all stickers before hanging.

HANDLING AND STORAGE

Melody panels must be stored indoors in a dry, climate controlled environment at all times. Exposure to moisture, excessive heat or humidity can cause panels to warp and/or stain.

Panels should be stored in a flat, fully supported, horizontal position and NOT on edge. It is recommended that 2 people carry each panel. Panel should be carried on edge, being careful not to bend panel at any time. Clean white gloves are also recommended when handling Melody panels.



Melody