

Melody mTiles, mTiles-Rap, mTiles-Canvas & mTiles-Image - Lay-In Grid (MCL) - Ceiling Installation

APPLICATION:

For ceiling mounting Melody mTiles, mTiles-Rap, mTiles-Canvas and mTiles-Image in 15/16" ceiling grid.

TOOLS NEEDED:

Utility Knife, Straight Edge

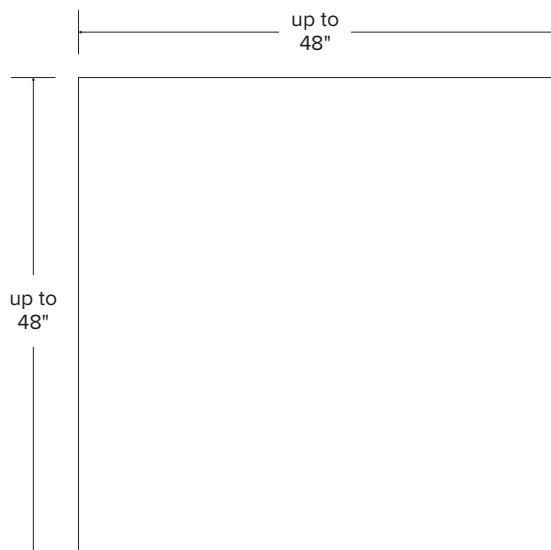
INSTALLATION INSTRUCTIONS:

1. Place mTile panels in ceiling grid. All four edges should rest on the ceiling grid. **Note: Back side of each mTile panel should be clearly labeled. Follow the directional label on the back of the panel for installation orientation. All panels should be installed with the same orientation.**
2. Use a straight edge and utility knife to cut mTile panels to fit around odd angles, lights and other penetrations.

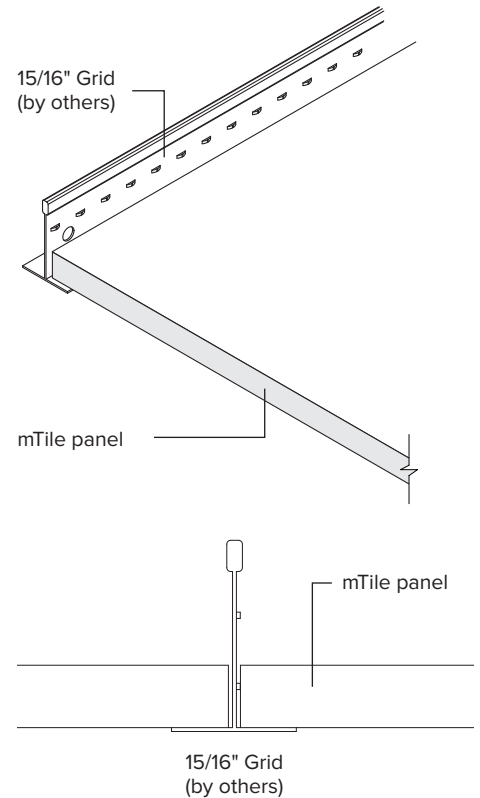
HANDLING AND STORAGE

Melody panels must be stored indoors in a dry, climate controlled environment at all times. Exposure to moisture, excessive heat or humidity can cause panels to warp and/or stain.

Panels should be stored in a flat, fully supported, horizontal position and NOT on edge. It is recommended that 2 people carry each panel. Panel should be carried on edge, being careful not to bend panel at any time. Clean white gloves are also recommended when handling Melody panels.



Step 1



Melody