

Melody mTiles, mTiles-Rap, mTiles-Canvas & mTiles-Image - Direct Mount Clear Puck (MCP) - Ceiling Installation

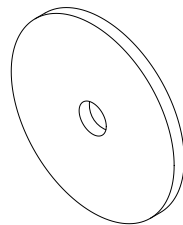
APPLICATION:

For ceiling mounting Melody mTiles, mTiles Rap, mTiles-Canvas and mTiles-Image using Clear Pucks.

TOOLS NEEDED:

Drill, 5/16" Spade Drill Bit

MOUNTING HARDWARE:

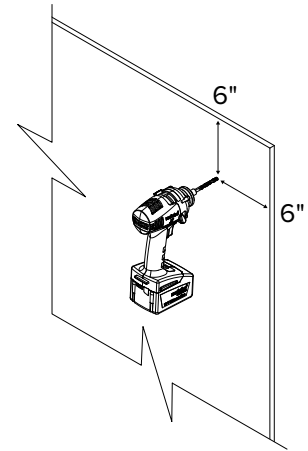


Clear Puck

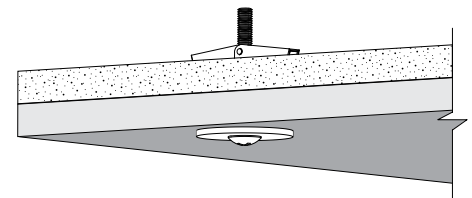
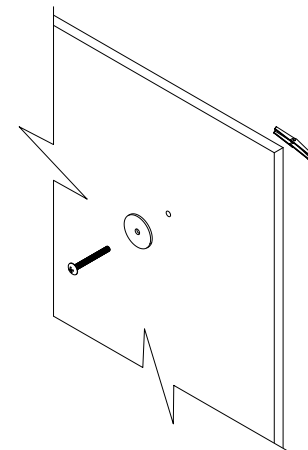
INSTALLATION INSTRUCTIONS:

1. Lay mTile panel face up on a flat, clean surface.
Note: Back side of each mTile panel should be clearly labeled. Follow the directional label on the back of the panel for installation orientation. All panels should be installed with the same orientation.
2. Measure 6" in from each edge of panel and mark the mTile panels. If an mTile panel is greater than 4' long, see drawings on page 2.
3. Drill a 5/16" hole where the Clear Puck will be installed. Repeat for all remaining mTile panels.
4. Install anchors in ceiling as necessary to engage the fasteners (by others) that hold the mTile panel. Each anchor point should hold a minimum of 50 lb. tensile strength per anchor.
5. Lift each mTile panel, face down, into position against the ceiling (do not leave unsupported). Insert appropriate fastener (by others) into the center of each Clear Puck.
6. Tighten fastener through the Clear Puck until snug. **Do not overtighten.** Repeat for all.

Step 2

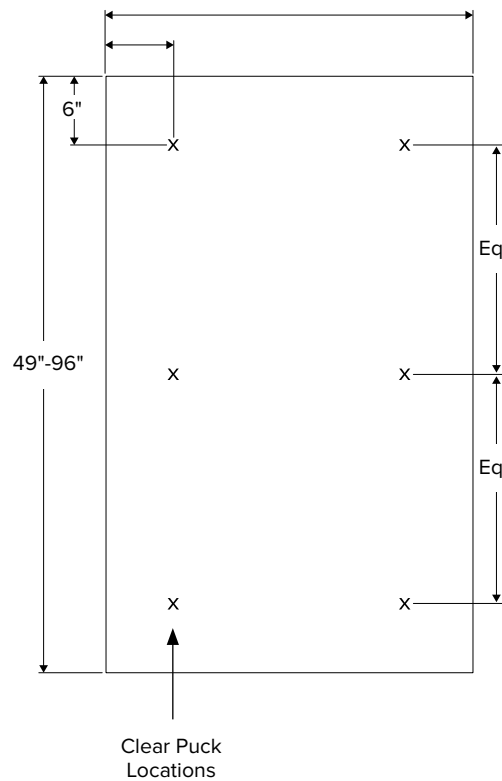
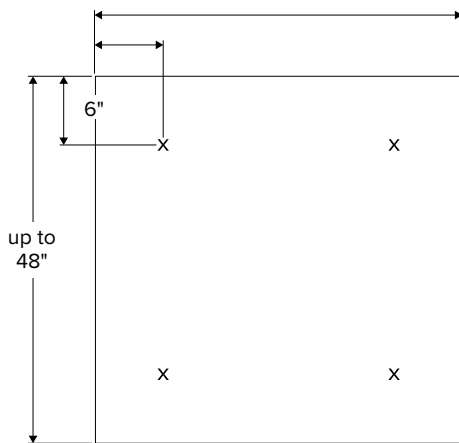


Step 3



Melody

Melody mTiles, mTiles-Rap, mTiles-Canvas & mTiles-Image - Direct Mount Clear Puck (MCP) - Ceiling Installation



Melody