

aCapella aTILES - Direct Mount Clear Puck (ACP) - Ceiling Installation

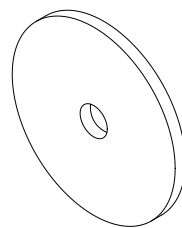
APPLICATION:

For ceiling mounting aCapella aTiles using Clear Pucks.

TOOLS NEEDED:

Drill, 5/16" Spade Drill Bit

MOUNTING HARDWARE:

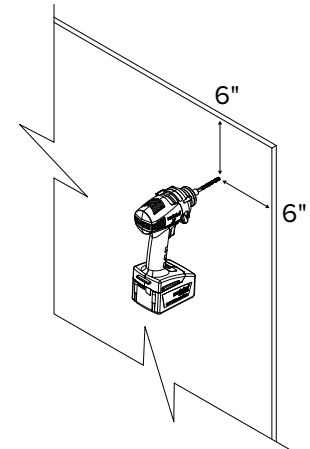


Clear Puck

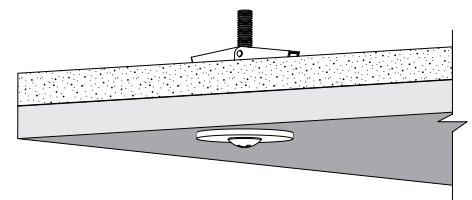
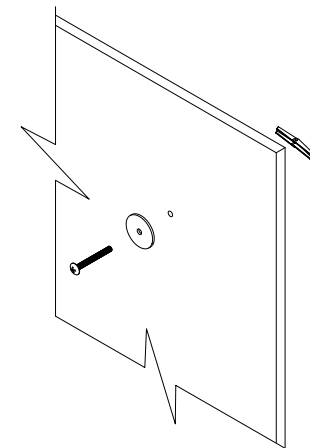
INSTALLATION INSTRUCTIONS:

1. Lay aTile panel face up on a flat, clean surface.
Note: Back side of each aTile panel should be clearly labeled. Follow the directional label on the back of the panel for installation orientation. All panels should be installed with the same orientation.
2. Measure 6" in from each edge of panel and mark the aTile panels. If an aTile panel is greater than 4' long, see drawings on page 2.
3. Drill a 5/16" hole where the Clear Puck will be installed. Repeat for all remaining aTile panels.
4. Install anchors in ceiling as necessary to engage the fasteners (by others) that hold the aTile panel. Each anchor point should hold a minimum of 50 lb. tensile strength per anchor.
5. Lift each aTile panel, face down, into position against the ceiling (do not leave unsupported). Insert appropriate fastener (by others) into the center of each Clear Puck.
6. Tighten fastener through the Clear Puck until snug. **Do not overtighten.** Repeat for all.

Step 2



Step 3



aCapella aTILES - Direct Mount Clear Puck (ACP) - Ceiling Installation

