

Melody mTiles, mTiles-Rap, mTiles-Canvas & mTiles-Image - Lay-In Grid (MCL) - Ceiling Installation

APPLICATION:

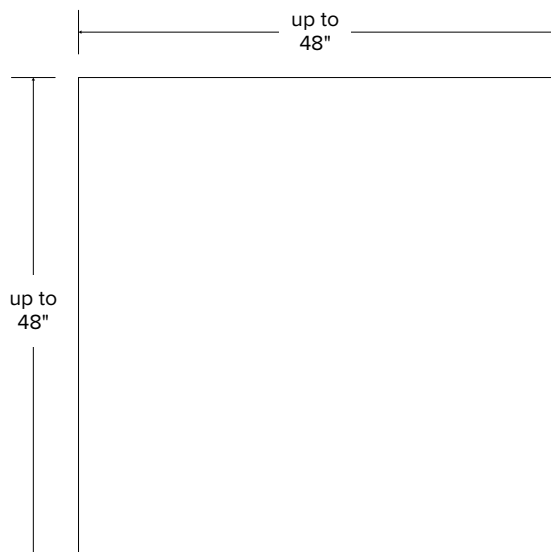
For ceiling mounting Melody mTiles, mTiles-Rap, mTiles-Canvas and mTiles-Image in 15/16" ceiling grid.

TOOLS NEEDED:

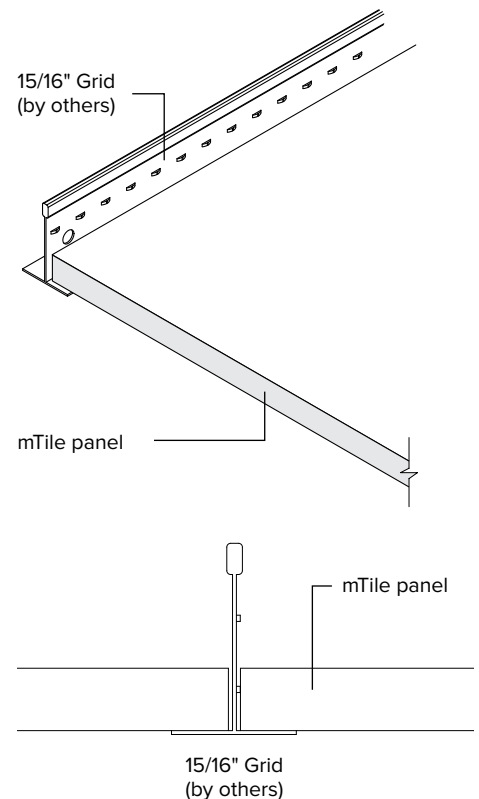
Utility Knife, Straight Edge

INSTALLATION INSTRUCTIONS:

1. Place mTile panels in ceiling grid. All four edges should rest on the ceiling grid. **Note: Back side of each mTile panel should be clearly labeled. Follow the directional label on the back of the panel for installation orientation. All panels should be installed with the same orientation.**
2. Use a straight edge and utility knife to cut mTile panels to fit around odd angles, lights and other penetrations.



Step 1



Melody