

CEILING MOUNTING: CLOUD BARREL DIFFUSER (CR-BD)

APPLICATION

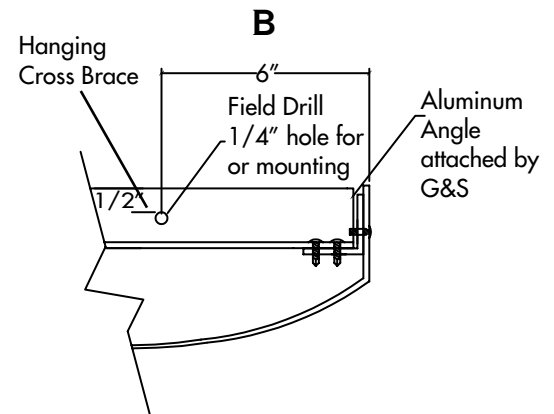
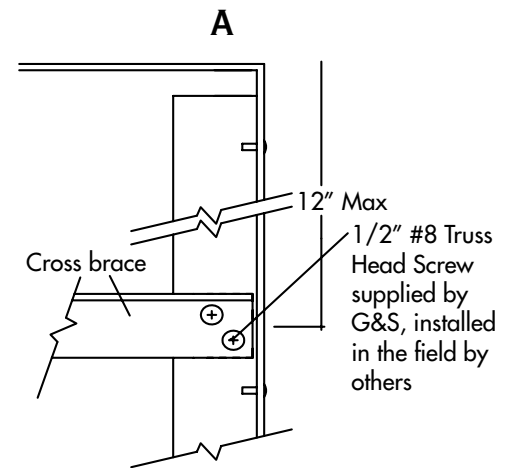
For hanging barrel-shaped Cloud that weigh 1.5 lbs per sq. ft.

DESCRIPTION

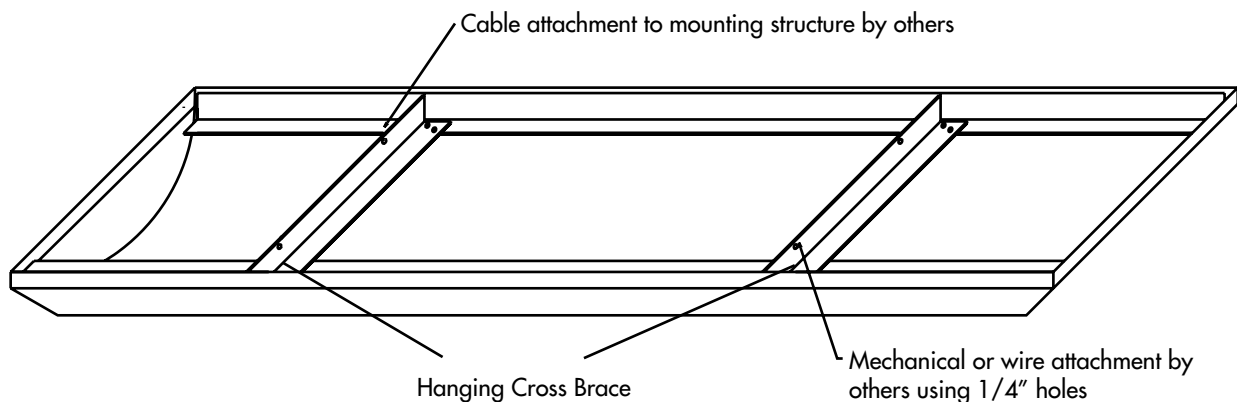
Installation is as follows:

1. Install hanging cross braces 12" in from each end with two 1/2" #8 sheet metal screws at each end of cross brace. Exercise caution when pre-drilling aluminum for screw as not to drill into face of Cloud. **See Detail A**
2. Field drill 1/4" holes in hanging cross braces for mechanical or wire attachment. **See Detail B and Drawing 1**
3. Use wire, chain (provided by others) to hang each Cloud from the hanging cross braces. Hang with minimum of 4 wires.

CLOUD MOUNTING DETAIL

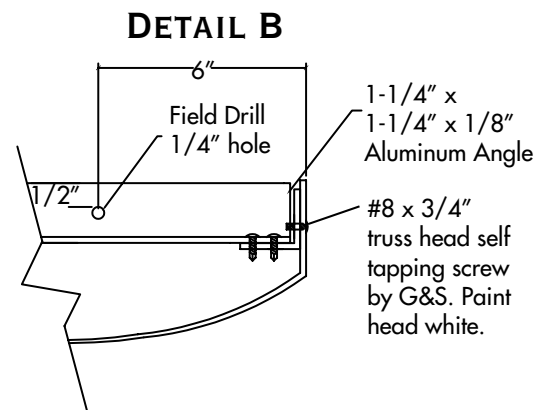
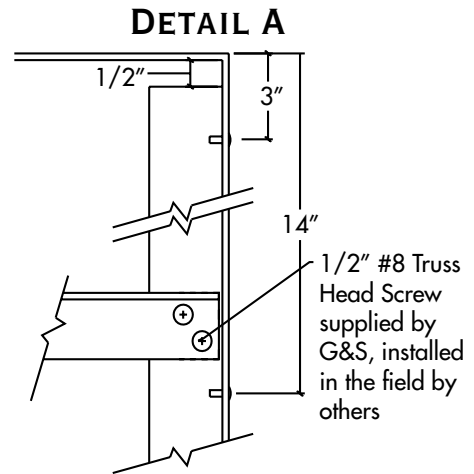
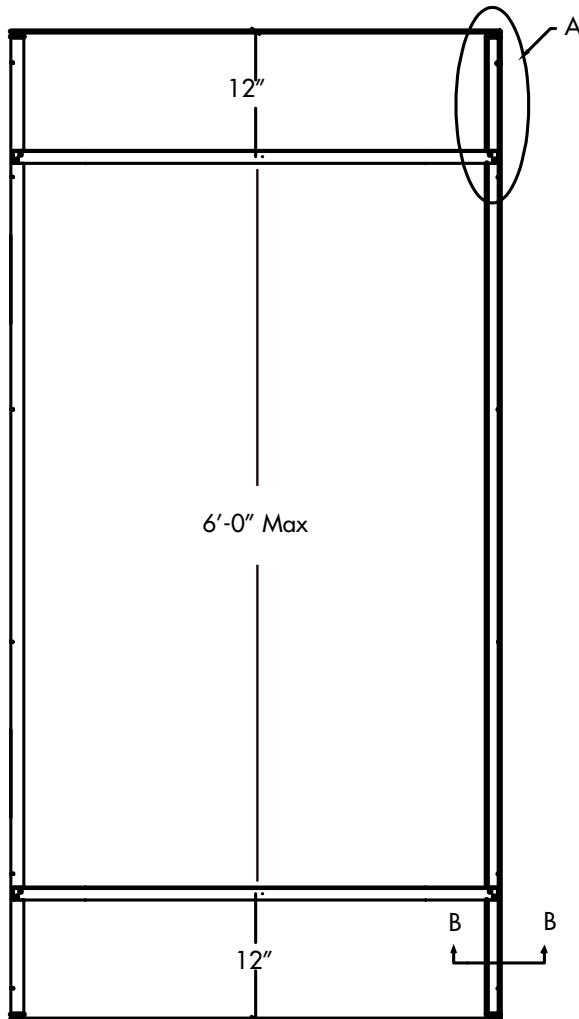


DRAWING 1



Controlling Sound Beautifully

CEILING MOUNTING: CLOUD BARREL DIFFUSER (CR-BD)



Controlling Sound Beautifully