

Melody mFloats, mFloat-Rap, mFloat-Canvas, & mFloat-Image Cloud

mCableLock Plates - Ceiling Installation

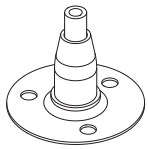
APPLICATION:

For ceiling mounting Melody mFloats, mFloat-Rap, mFloat-Canvas and mFloat-Image Cloud with mCableLock Plates.

TOOLS NEEDED:

Phillips Screwdriver

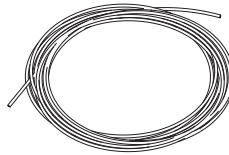
MOUNTING HARDWARE:



mCableLock Plate



#8 x 3/4" Screw



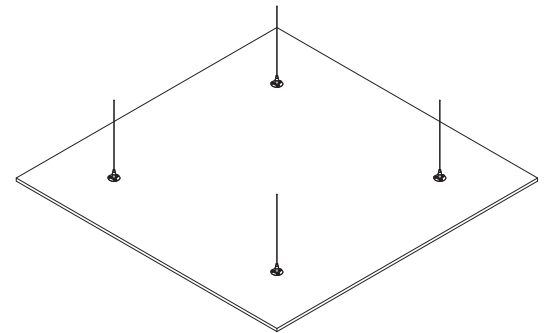
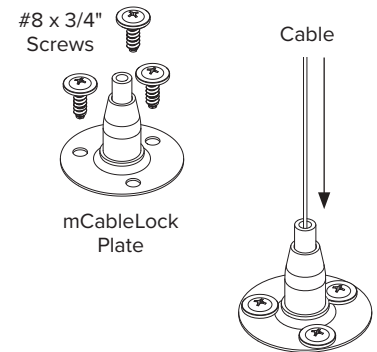
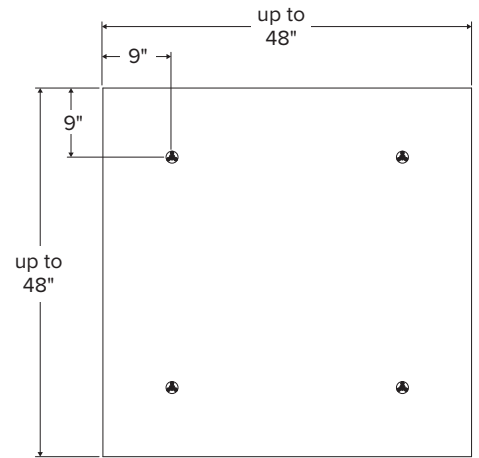
10' Cable

INSTALLATION INSTRUCTIONS:

1. Lay mFloat panel face down on a flat, clean surface.
Note: Back side of each mFloat panel should be clearly labeled. Follow the directional label on the back of the panel for installation orientation. All panels should be installed with the same orientation.
2. Measure 9" in from each edge of panel and mark mFloat Cloud. If panel is greater than 4' long, see drawings on page 2.
3. Center mCableLock Plate on mark and install using #8 x 3/4" screws, three per mCableLock Plate. Tighten each screw until snug. **Do not overtighten.** Repeat for all.
4. Once mCableLock Plate is secured, push 1" of cable into the top of the mCableLock Plate. The cable will automatically lock in place. To release cable, press down on the top of the mCableLock holder and pull on the cable.

When all mCableLock Plates and cables are installed, the mFloat Cloud is ready to hang. Use appropriate fasteners and hardware to install the

MOUNTING DETAILS



Melody mFloats, mFloat-Rap, mFloat-Canvas, & mFloat-Image Cloud

mCableLock Plates - Ceiling Installation

