

Melody mTILES - Direct Mount

Adhesive (MCA) - Ceiling Installation

APPLICATION:

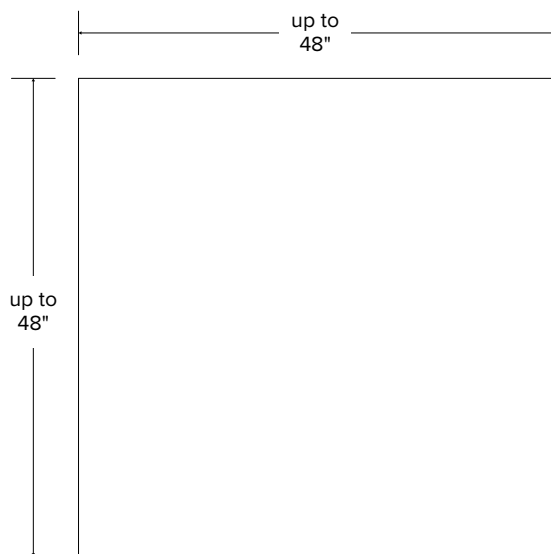
For installing ceiling mounted Melody mTiles using adhesive on painted or primed drywall. mTile panel cannot exceed 4' x 4'.

TOOLS NEEDED:

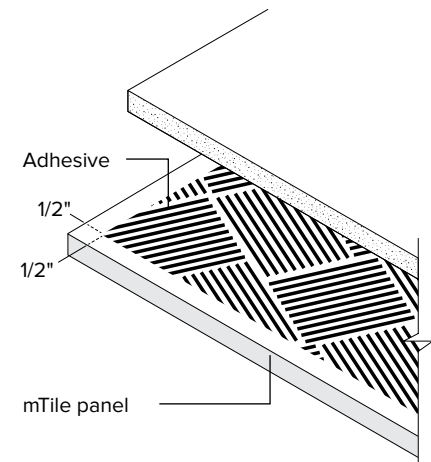
1/4" x 3/16" V Shaped Notch Trowel, Heavy Bodied Water-Based Adhesive Henry 440 or equal, Utility Knife, Straight Edge

INSTALLATION INSTRUCTIONS:

1. Lay the mTile panel face down on a flat, clean surface.
Note: Back side of each mTile panel should be clearly labeled. Follow the directional label on the back of the panel for installation orientation. All panels should be installed with the same orientation.
2. Using a 1/4" x 3/16" V shaped notch trowel, apply a heavy bodied water-based adhesive (by others) to the back of each mTile panel. Cover the entire ceiling panel, keeping adhesive 1/2" away from each edge. (See details)
3. Being careful not to touch the adhesive, apply mTile panels to the ceiling, pressing firmly on the front face of the panel to engage the adhesive.
4. To ensure the mTile panels are evenly secured, apply pressure with hands moving them from center to outer edge of each ceiling panel.
5. Use a straight edge and utility knife to cut mTile panels to fit around odd angles, lights and other penetrations.



MOUNTING DETAILS



Melody