

aCapella VERSE - Baffles

Top Clamp - Ceiling Installation

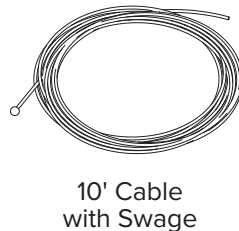
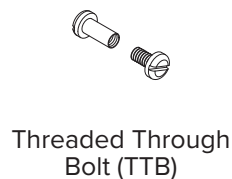
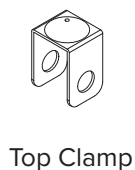
APPLICATION:

For ceiling mounting aCapella Verse Baffles using a Top Clamp.

TOOLS NEEDED:

Drill, 5/16" Spade Drill Bit, (1) Slotted Screwdriver

MOUNTING HARDWARE:

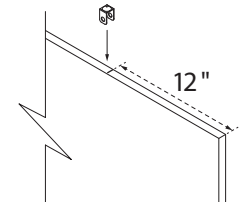


INSTALLATION INSTRUCTIONS:

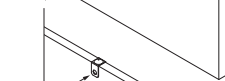
1. Each Verse Baffle requires two (2) Top Clamps. Measure 12" from the top corner and mark.
2. Align one edge or center of the Top Clamp on the 12" mark then locate the holes on the side of the Top Clamp and mark the Verse Baffles through the holes.
3. Remove the Top Clamp and drill one (1) 5/16" hole. Repeat on the opposite top corner and for all remaining Verse Baffles.
4. Insert the cable up through the top hole in each Top Clamp. Pull cable through Top Clamp until the swage sits snug inside Top Clamp.
5. Slide Top Clamp onto Verse Baffles, aligning Top Clamp hole with 5/16" pre-drilled holes in baffles. Attach using the Threaded Through Bolts. **Ensure all Verse Baffles' fronts are facing the same direction.** Hand tighten with slotted screwdriver. Repeat for all.

The Verse Baffles are now ready to hang. Use appropriate fasteners and hardware to install the baffles from the structure. Remove all stickers before hanging.

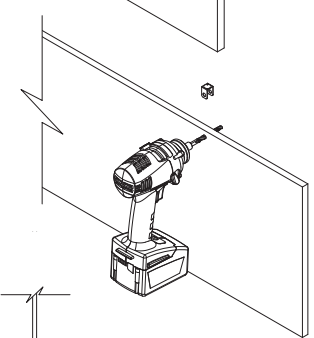
Step 1



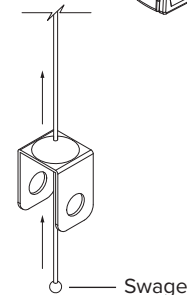
Step 2



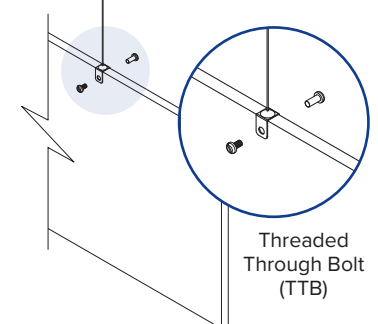
Step 3



Step 4



Step 5



aCapella