

aCapella VERSE - Baffles

Grip5 with CableLock - Ceiling Installation

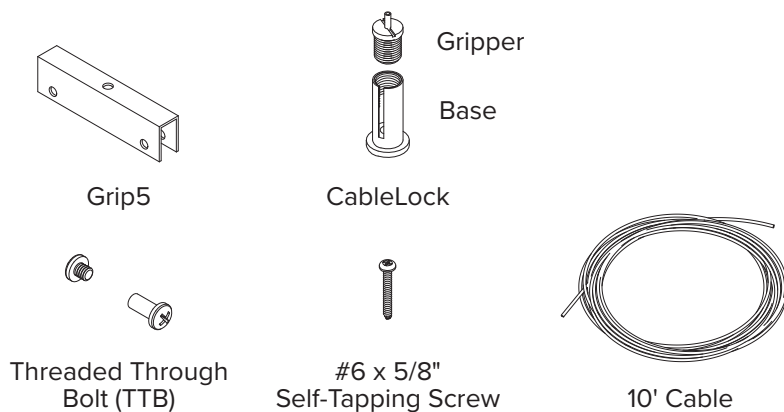
APPLICATION:

For ceiling mounting aCapella Verse Baffles using Grip5 with CableLock and Cable.

TOOLS NEEDED:

Drill, 5/16" Spade Drill Bit, (2) Phillips Screwdrivers

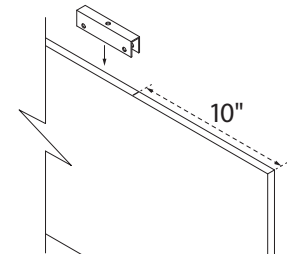
MOUNTING HARDWARE:



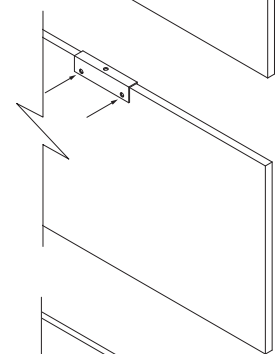
INSTALLATION INSTRUCTIONS:

1. Each Verse Baffle requires two (2) Grip5s. Measure 10" from the top corner and mark.
2. Align one edge of the Grip5 on the 10" mark then locate the holes on the side of the Grip5, and mark the Verse Baffles through the holes.
3. Remove the Grip5 and drill two (2) 5/16" holes. Repeat on the opposite top corner and for all remaining Verse Baffles.
4. Slide the Grip5s onto Verse Baffles and attach using the Threaded Through Bolts. **Ensure all Verse Baffles' fronts are facing the same direction.** Hand tighten with Phillips screwdrivers. Repeat for all.

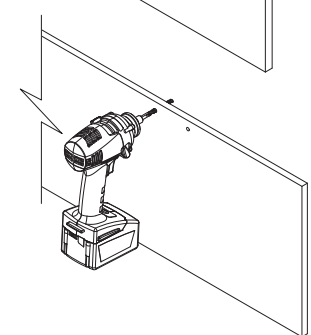
Step 1



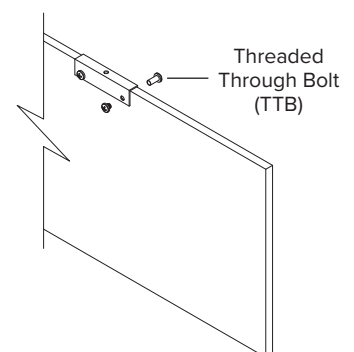
Step 2



Step 3



Step 4



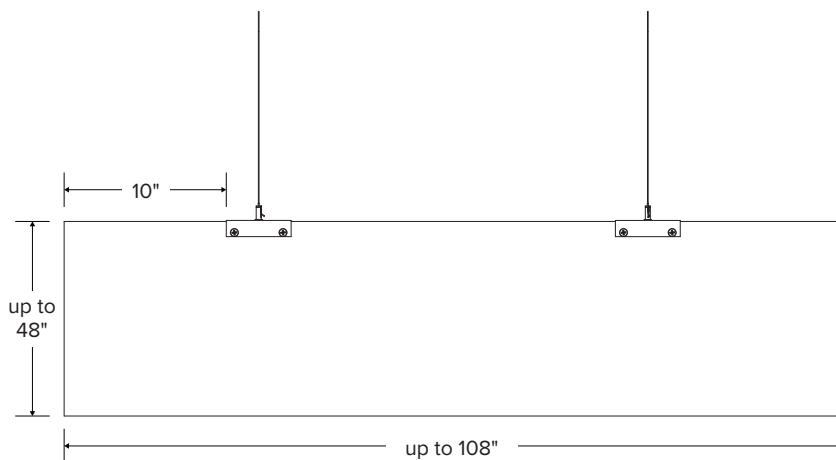
aCapella VERSE - Baffles

Grip5 with CableLock - Ceiling Installation

INSTALLATION INSTRUCTIONS:

5. Insert a #6 x 5/8" screw into each CableLock base and screw into pre-drilled holes in the center of the Grip5s. Tighten to snug.
6. Screw the gripper into the top of each CableLock. Tighten by hand to snug.
7. Insert the cable into the top of each CableLock gripper, leaving 1" of cable hanging out of the CableLock. The cable will automatically lock in place. To release cable, press down on the top of the CableLock gripper and pull on the cable.
8. Repeat this process until all baffles have two (2) Grip5s with Threaded Through Bolts, CableLocks and cable fully installed.

The Verse Baffle is now ready to hang. Use appropriate fasteners and hardware to install the baffles from the structure. Remove all stickers before hanging.



Step 5-7

