

# aCapella VERSE - Baffles

## Direct Mount - Ceiling Installation

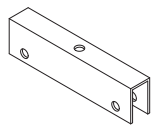
### APPLICATION:

For ceiling mounting aCapella Verse Baffles direct to ceiling using Grip5.

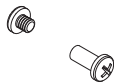
### TOOLS NEEDED:

Drill, 5/16" Spade Drill Bit, (2) Phillips Screwdrivers, Fasteners (by others)

### MOUNTING HARDWARE:



Grip5

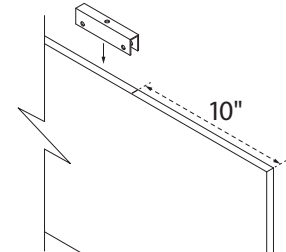


Threaded Through Bolt (TTB)

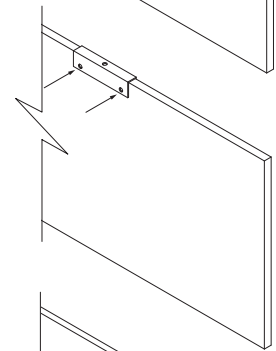
### INSTALLATION INSTRUCTIONS:

1. Each Verse Baffle requires two (2) Grip5s. Measure 10" from the top corner and mark.
2. Align one edge of the Grip5 on the 10" mark, then locate the holes on the side of the Grip5 and mark the Verse Baffle through the holes.
3. Remove the Grip5 and drill two (2) 5/16" holes. Repeat on the opposite top corner and for all remaining Verse Baffles.
4. Measure and mark Grip5s a minimum of 3" apart on ceiling. Install Grip5s using one (1) fastener (by others) per Grip5. Grip5s should be installed in line to allow installing of Verse Baffles.

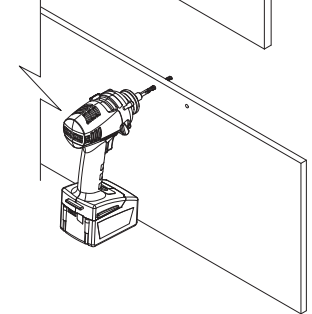
### Step 1



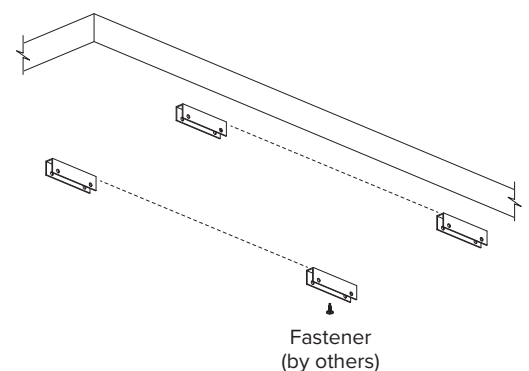
### Step 2



### Step 3



### Step 4



# aCapella VERSE - Baffles

## Direct Mount - Ceiling Installation

### INSTALLATION INSTRUCTIONS:

5. Place Verse Baffles in the Grip5 and attach using the Threaded Through Bolts. **Ensure all Verse Baffles' fronts are facing the same direction.** Hand tighten with Phillips screwdrivers. Repeat for all.

**Use appropriate fasteners and hardware to install the baffles from the structure. Remove all stickers before hanging.**

### Step 5

