

aCapella aTILES

aTiles Grid - Baffles Ceiling Installation

APPLICATION:

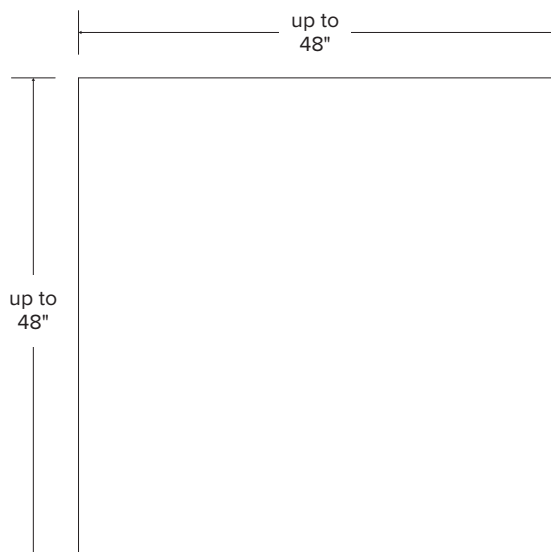
For ceiling mounting aCapella aTiles in 15/16" ceiling grid.

TOOLS NEEDED:

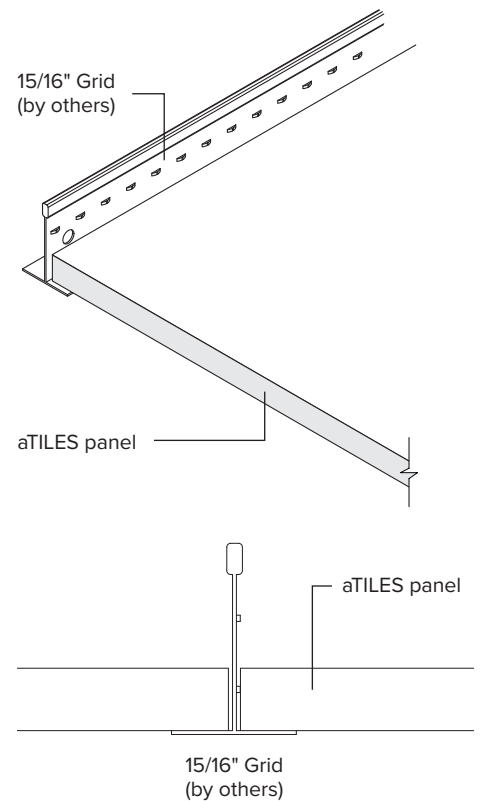
Utility Knife, Straight Edge, Drywall Circle Gauge, Keyhole Saw

INSTALLATION INSTRUCTIONS:

1. Place aTiles panel in ceiling grid. All four edges should rest on the ceiling grid. **Note: Back side of each aTiles panel should be clearly labeled.**
2. Use a straight edge to cut aTiles panel to fit around odd angles. Make clean cuts in panels for lights and other penetrations with a drywall circle gauge and keyhole saw.



Step 1 – Lay-In (ACL)



Step 2

If necessary, precut aTiles panels with utility knife and straight edge

