

WALL MOUNTING: ANGLED-IMPALING CLIP (AF1)

APPLICATION

For mounting fiberglass acoustical wall panels.

DESCRIPTION

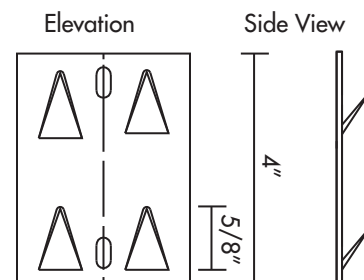
This installation technique uses Angled-Impaling Clips to mount fiberglass acoustical wall panels. Installation is completed in the following order:

1. Lay out panel location on the wall.
2. Fasten AF1-Impaling Clips to the wall 48" O.C. with the points facing up. **Note:** If panel dimension is less than 48", space clips evenly.
3. Attach panels by pressing down toward the wall so points imbed firmly in the back of the panel.
4. This installation technique will leave a 5/8" reveal between the ceiling and the top of the panel.
5. Use the following guide to determine the number of AF1-Impaling Clips to be used per panel:

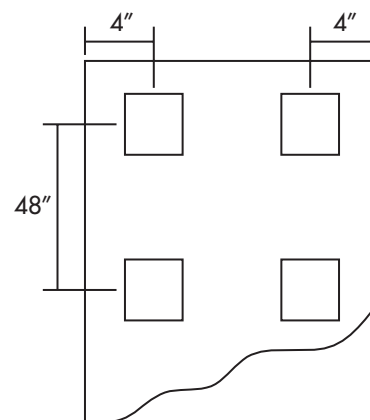
PANEL SIZE	NUMBER OF AF1-CLIPS
Up to 16 sf	4
17 sf to 32 sf	6
33 sf to 60 sf	8

Note: Due to variations in fiberglass thickness and wall inconsistencies, some shimming may be required to align the panel edges.

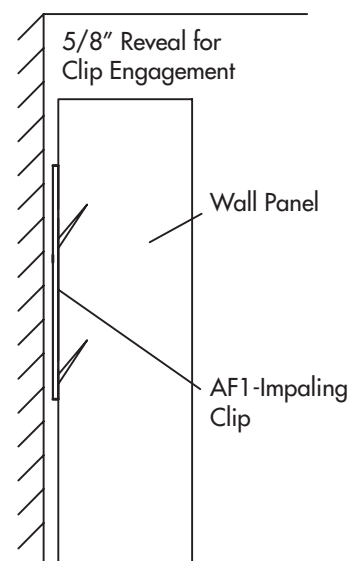
AF1-IMPALING CLIP



BACK OF PANEL



CROSS SECTION



Controlling Sound Beautifully