

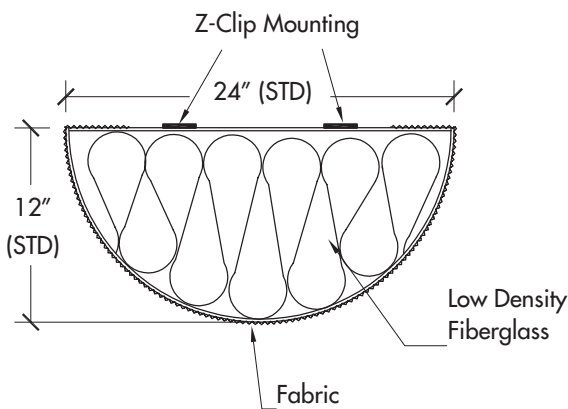
BASS TRAP (BT)

G&S Acoustics' Bass Traps (BT) are very effective sound absorbers, especially **good at absorbing low frequencies**. Our Bass Traps come in two types: Radius (BTR) for wall application and Corner (BTC) for inside corner applications. When placed in corners, (BTC) Bass Traps are very effective at reducing the noise reverberation caused by inside corners.

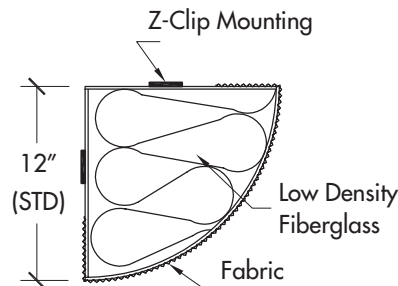
Bass Traps are useful in acoustic treatments for studios, theaters or settings that require critical listening and low-frequency reduction.



BASS TRAP-RADIUS BTR



BASS TRAP-CORNER BTC



SOUND ABSORPTION

Hz	125	250	500	1000	2000	4000	N.R.C.
BT 24	1.54	1.40	1.35	1.31	1.32	1.27	1.35

Note: NRC test results based on our standard acoustically transparent fabric. Results may vary with other fabrics.

CORE

1.5 pcf fiberglass

SIZES

24"x48" up to 96"

Custom sizes are available

MOUNTING

Two-part Z-clips

FINISH

Fabric

*Controlling
Sound
Beautifully*