

WALL MOUNTING: BASS TRAP, TP2 CLIPS WITH CONTINUOUS HANGER BAR (CHBA)

APPLICATION

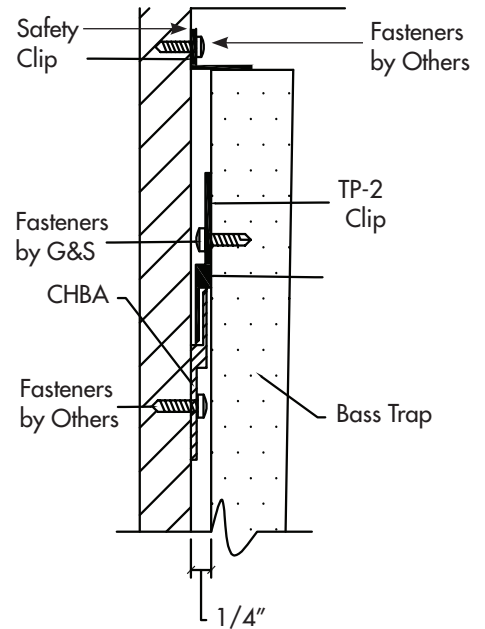
For wall mounting Bass Traps with continuous hanger bar.

DESCRIPTION

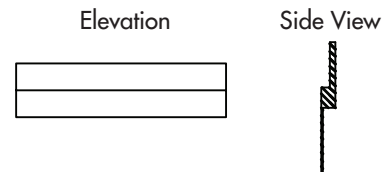
This mounting technique uses TP2 clips fastened to the back of the Bass Trap and CHBA fastened to the wall. Allow 3/4" for mounting engagement. Installation is as follows:

1. See Page 2 showing the locations of the TP2 clips on the back of the Bass Trap. For a corner installation the TP2 clips will need to be installed on both sides of the Bass Trap facing the wall.
2. Using the truss head sharp point 9/16", #8 screws (furnished by G&S Acoustics) attach the TP2 clips to the back of the Bass Trap using two screws per TP2 clip.
3. Locate the installation points for the wall mounted CHBA by measuring the TP2 clip locations on the back of the Bass Trap. Screws for attaching the wall mounted CHBA are not provided by G&S Acoustics. Allow 3/4" for mounting engagement.
4. Lift the Bass Trap in place and slide the TP2 clips down to engage the CHBA. Make sure all TP2 clips are engaged.
5. Adhesive placed in "egg-sized" dots on the back of the Bass Trap will keep it from sliding off the clips. G&S Acoustics does not provide this adhesive.
6. See attached safety clip note on page two.

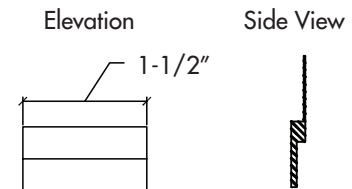
WALL MOUNTING DETAIL



CHBA

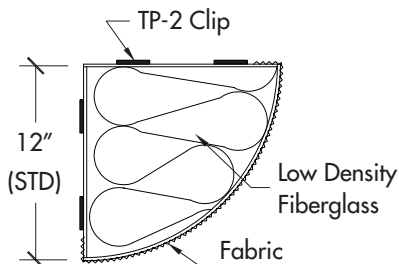


TP-2

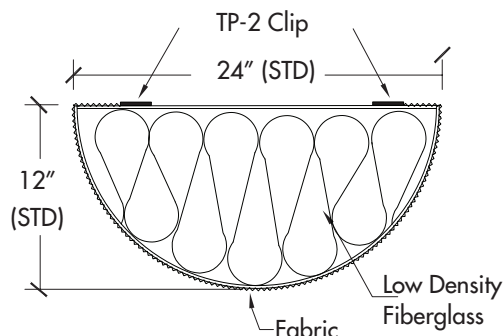


Note: All clips are field attached.

BASS TRAP-CORNER BTC



BASS TRAP-RADIUS BTR

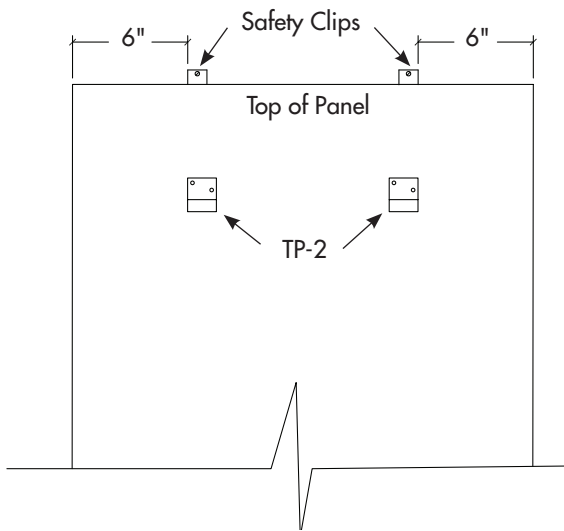


Controlling Sound Beautifully

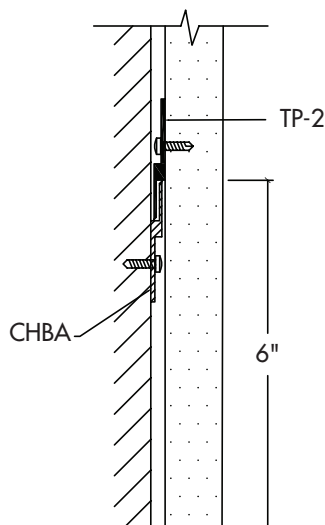
WALL MOUNTING: BASS TRAP, TP2 CLIPS WITH CONTINUOUS HANGER BAR (CHBA)

See Drawing 1 showing Safety Clip locations. Attach two Safety Clips to the wall at the top of each panel. Fasteners for attaching the Safety Clips are not provided by G&S Acoustics.

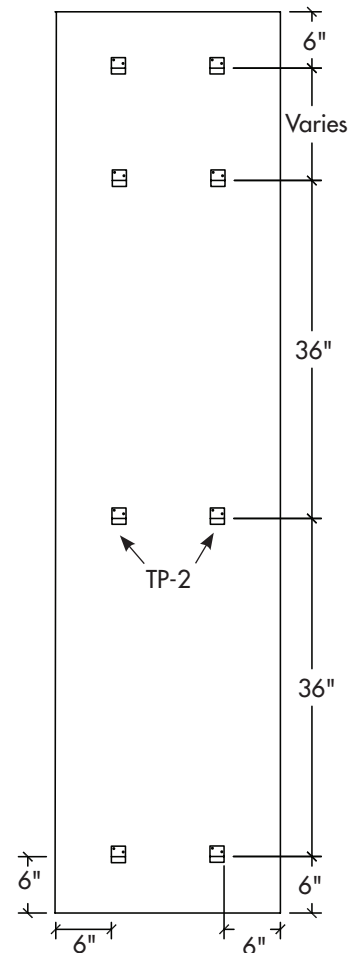
DRAWING 1



DRAWING 2



DRAWING 3



Controlling Sound Beautifully